	PART - GROUP CHANGE NOTIFICATION			Bulletin no	Rev no	Date
	Copy to	Musa ALTIPARMAK Özlem Öztürk ÖZTAN		CMI_2020_20	0	1.05.2020
	Approved by	Yunus Emre AYDOĞDU				

TECHNICAL EXPLANATION OF THE MODIFICATION		Technical Bulletin No
Subject	New alternative EMI filter (Iskra) transition with new terminal plate	
Key Words	EMI Filter	

Problem description / Reason of the modification:

Assembling method of new alternative EMI filter was defined.

Affected period:	Application Date:
All products that have 2827980700-2834310100 / 2827981200-2834310400 part numbered EMI filters.	1.05.2020

Content of the modification (Which items are modified?):

2003721300 part numbered hooked type EMI filter was defined as an alternative to 2827980700-2834310100 part numbered cylindrical type EMI filters.
2003721600 part numbered hooked type EMI filter was defined as an alternative to 2827981200-2834310400 part numbered cylindrical type EMI filters.

APPLICATION IN THE FIELD:

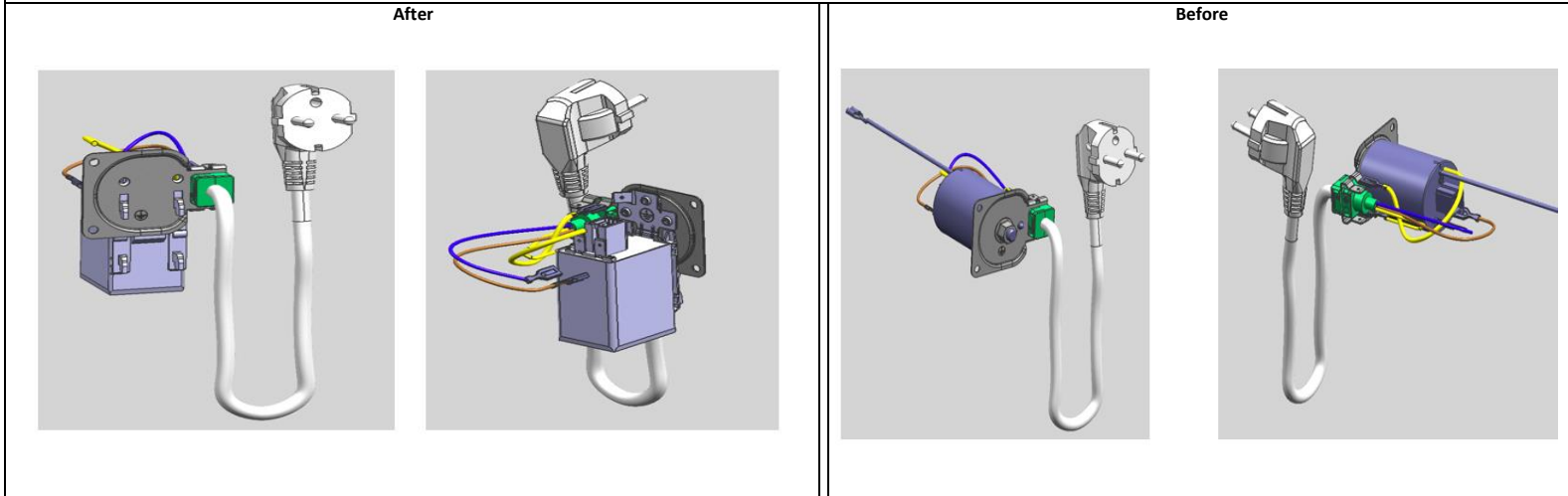
Needed equipment:

None

How will be the application of the modification in the field?:

In all products produced since from 01.04.2020, new hooked type EMI filter can be used.
2003721300 part numbered hooked type EMI filter was defined as an alternative to 2827980700-2834310100 part numbered cylindrical type EMI filters.
2003721600 part numbered hooked type EMI filter was defined as an alternative to 2827981200-2834310400 part numbered cylindrical type EMI filters.

When new alternative EMI filters (2003721300 and 2003721600) are used, 2858560300 part numbered terminal plate also must be used.



INFORMATION ABOUT THE PART CHANGES									
Ser. Ref	New part(s) / Group(s)			Code	Ser. Ref	Old part(s) / Group(s)			Code
	Stock number	Part / group name	#			Stock number	Part / group name	#	
162	2003721300	INTERFERENCE SUPPRESSOR	1	B7					
162	2003721600	INTERFERENCE SUPPRESSOR	1	B7					
1575	2858560300	TERMINAK SHEET	1	B7					
1467	9003860200	SCREW	2	B7					

New Part(s) / Group(s)

Parts are added to BOM of the product.

Part datas are completed by Production Planning department.

Parts will not be added to BOM, It is only for service.

CODE EXPLANATION :

A-Old stocks can be used; Old & new parts are fully interchangeable
B-Old stocks can be used; Old parts are interchangeable with old productions & new parts are interchangeable with new productions
C-Old stocks can not be used. New parts are interchangeable with old & new productions
D-Old stocks can not be used. New parts are interchangeable with new productions
E-Old stocks can be used in old productions. New parts are interchangeable with old & new productions

1-Performance / 2-Production improvement / 3-Safety / 4-Material or dimension change / 5-Additional part / 6-Part cancellation / 7-Alternative use

RELATED PRODUCTS						
No	Modification Date	Brand	Model	Started from	Finished at	Signature

Sensitivity: Public