
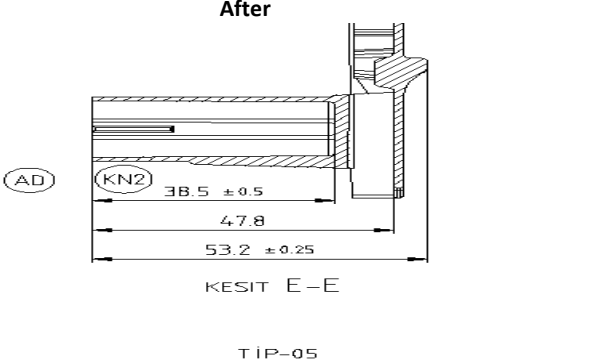
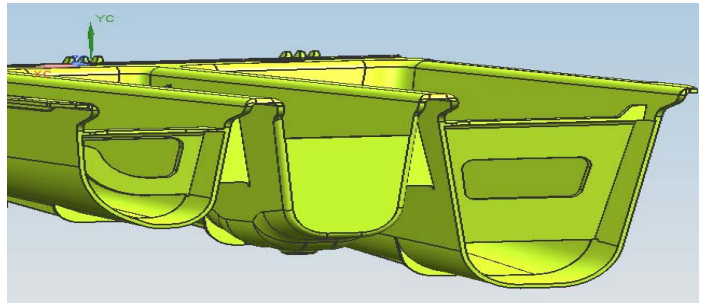
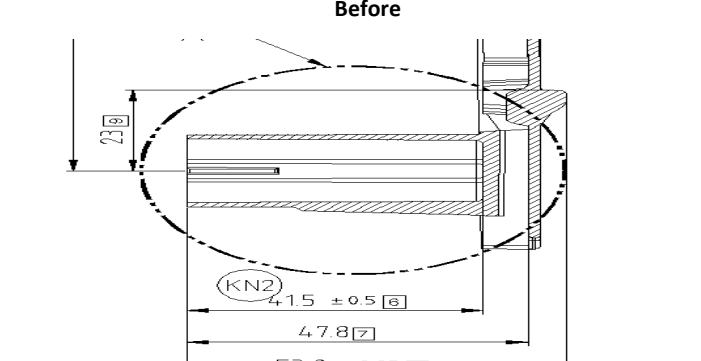
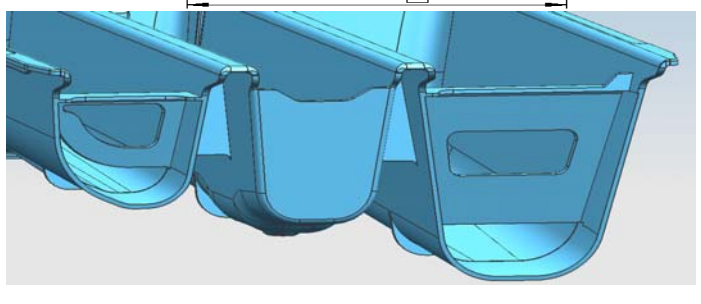


PART - GROUP CHANGE NOTIFICATION					Bulletin no	Rev no	Date	
	Prepared by	Işıl ERCAN Musa ALTIPARMAK			WM_2016_3	1	07.03.2016	
	Approved by	Seyhun BAKIRHAN						
	Copy to	TH-YPLB		ÇMİ-MTk1	ÇMİ-ÜPB	X	ÇMİ-MÜT	
		ÇMİ-KGB	X	ÇMİ-MTk2	ÇMİ-MTk3		Other	

TECHNICAL EXPLANATION OF THE CHANGE

Issue	drawer & syphon change
Explanation	To avoid water leakage problem, new types have been created for syphon hole and softening rear wall. New drawer types have been added to BOM as alternative.

After	Before
 <p>KESİT E-E TIP-05</p> 	 

INFORMATION ABOUT THE PART CHANGES

Ser. Ref	New part(s)				Ser. Ref	Old Part(s)			
	Stock number	Part name	Aset	Code		Stock number	Part name	Aset	Code
336	2413000500	DRAWER ASSEMBLY	1	C2	336	2942300100 2942300200 2942300400 2942300500	DRAWER ASSEMBLY	1	C2
336	2413000500	DRAWER ASSEMBLY	1	C2	336	2413000100 2413000200 2413000300 2413000400	DRAWER ASSEMBLY	1	C2

CODE EXPLANATION :

A-Old stocks can be used; Old & new parts are fully interchangeable

B-Old stocks can be used; Old parts are interchangeable with old productions & new parts are interchangeable with new productions

C-Old stocks can not be used. New parts are interchangeable with old & new productions

D-Old stocks can not be used. New parts are interchangeable with new productions

E-Old

1-Performance / 2-Production improvement / 3-Safety / 4-Material or dimension change / 5-Additional part / 6-Part cancellation / 7-Alternative use

UT THE PRODUCT CHANGES

No	Date	Brand	Model	Started from	Finished at	Signature
1						
2						
3						
4						
5						