

PART - GROUP CHANGE NOTIFICATION					Bulletin no	Rev no	Date	
arçelik	Prepared by	Musa ALTIPARMAK-Işıl ERCAN			WM_2015_9	0	01.06.2015	
	Approved by	Burçin SOMER						
	Copy to	TH-YPLB		ÇMI-MTK1	ÇMI-ÜPB		ÇMI-MÜT	
		ÇMI-KGB		ÇMI-MTK2	ÇMI-MTK3		Other .....	

### TECHNICAL EXPLANATION OF THE CHANGE

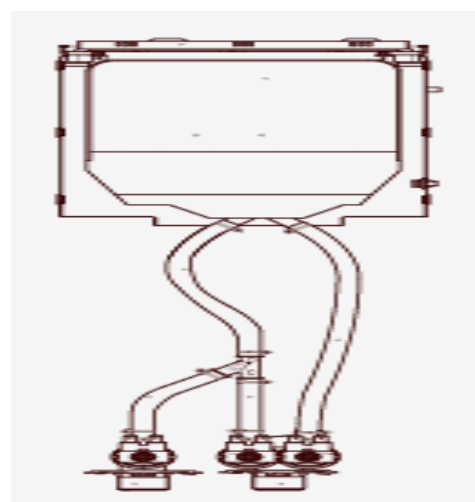
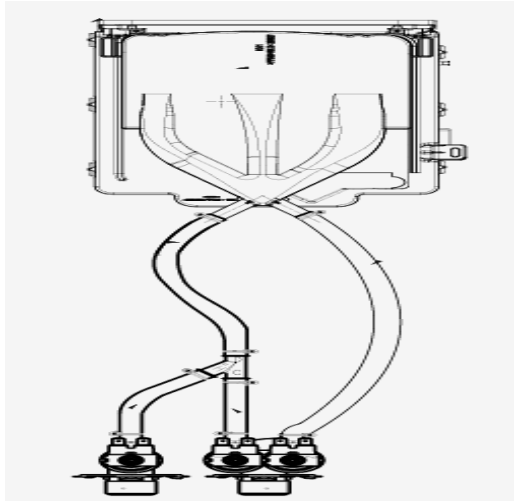
**Issue** **DETERGENT BOX COMPLETE ASSEMBLY**

**Explanation:** Detergent box assembly has been changed to improve perceived quality of users.

Old stocks can be used; Old parts are interchangeable with old productions & new parts are interchangeable with new productions.

**AFTER**

**BEFORE**



### INFORMATION ABOUT THE PART CHANGES

Ser. Ref	New part(s)			Code	Ser. Ref	Old Part(s)			Code
	Stock number	Part name	Aset			Stock number	Part name	Aset	
146	2412700100	DETERGENT BOX GROUP	1	B2				1	B2
336	2413000100	DRAWER ASSEMBLY.	1	B2				1	B2
1662	2907194600	HOSE L=240 mm	1	B2				1	B2
1103	2907190300	HOSE L=120 mm	1	B2				1	B2
1538	2907193400	HOSE L=110 mm	1	B2				1	B2
1402	2907192600	HOSE L=75 mm	1	B2				1	B2
1403	2907192700	HOSE L=60 mm	1	B2				1	B2
1109	2907190900	HOSE L=290 mm	1	B2				1	B2
			1	B2	146	2862100500	DETERGENT BOX GROUP	1	B2
			1	B2	336	2862300100	DRAWER ASSEMBLY.	1	B2
					1105	2600940500	HOSE L=300 mm	1	B2
					1712	2600944400	HOSE L=255 mm	1	B2
					1120	2600942000	HOSE L=100 mm	1	B2
					1410	2600942800	HOSE L=130 mm	2	B2
					1110	2600941000	HOSE L=225 mm	1	B2
					1402	2600942600	HOSE L=75 mm	1	B2
					1103	2600940300	HOSE L=120 mm	1	B2
					1403	2600942700	HOSE L=60 mm	1	B2

#### CODE EXPLANATION :

**A**-Old stocks can be used; Old & new parts are fully interchangeable

**B**-Old stocks can be used; Old parts are interchangeable with old productions & new parts are interchangeable with new productions

**C**-Old stocks can not be used. New parts are interchangeable with old & new productions

**D**-Old stocks can not be used. New parts are interchangeable with new productions

**E**-Old stocks can be used in old productions. New parts are interchangeable with old & new productions

**1**-Performance / **2**-Production improvement / **3**-Safety / **4**-Material or dimension change / **5**-Additional part / **6**-Part cancellation / **7**-Alternative use

### INFORMATION ABOUT THE PRODUCT CHANGES

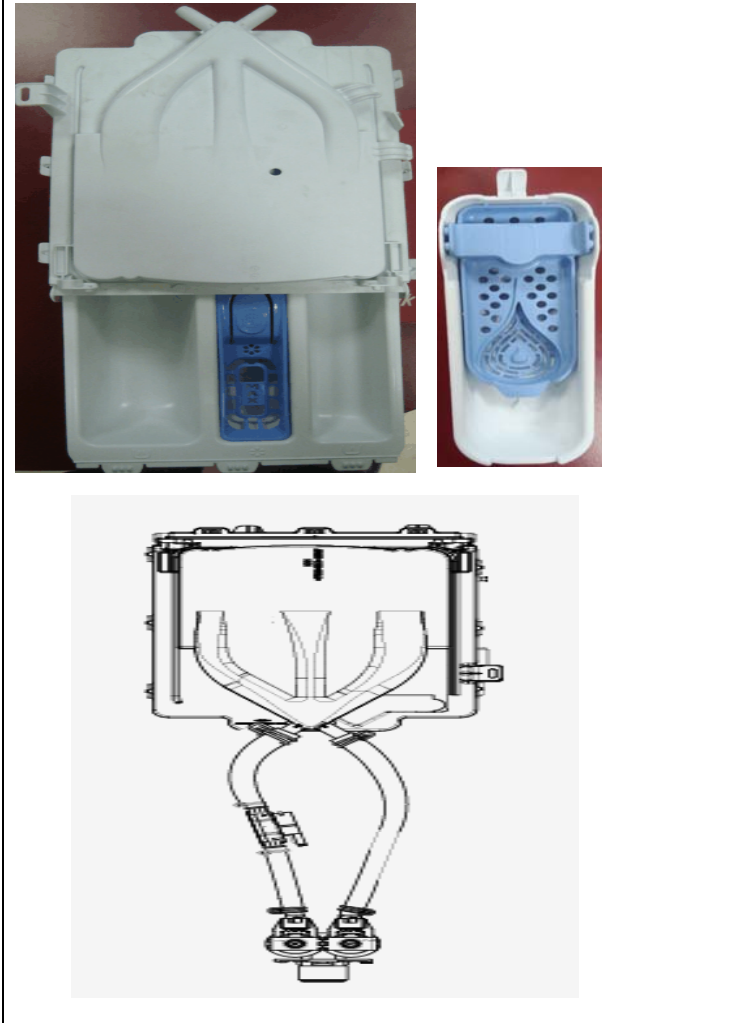
No	Date	Brand	Model	Started from	Finished at	Signature
1						
2						

PART - GROUP CHANGE NOTIFICATION					Bulletin no	Rev no	Date	
arçelik	Prepared by	Musa ALTIPARMAK-Işıl ERCAN			WM_2015_9	0	01.06.2015	
	Approved by	Burçin SOMER						
	Copy to	TH-YPLB		ÇMI-MTK1	ÇMI-ÜPB	ÇMI-MÜT		
		ÇMI-KGB		ÇMI-MTK2	ÇMI-MTK3		Other .....	

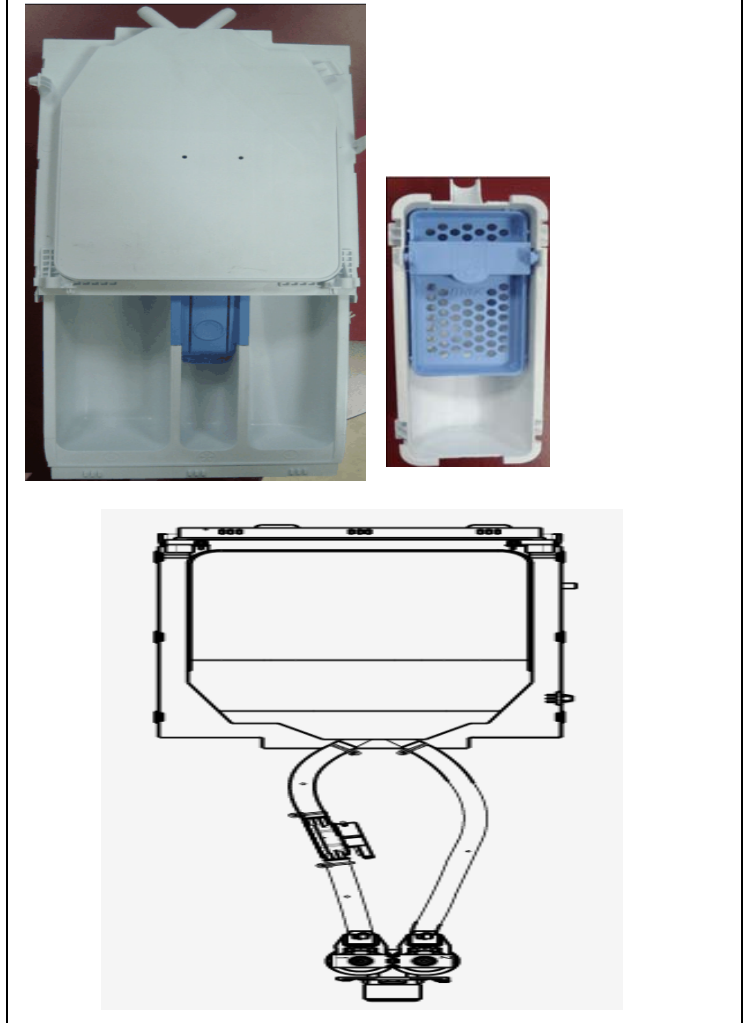
### TECHNICAL EXPLANATION OF THE CHANGE

Issue	<b>DETERGENT BOX COMPLETE ASSEMBLY</b>
Explanation:	Detergent box assembly has been changed to improve perceived quality of users. Old stocks can be used; Old parts are interchangeable with old productions & new parts are interchangeable with new productions.

AFTER



BEFORE



### INFORMATION ABOUT THE PART CHANGES

Ser. Ref	New part(s)				Ser. Ref	Old Part(s)			
	Stock number	Part name	Aset	Code		Stock number	Part name	Aset	Code
146	2412700100	DETERGENT BOX GROUP	1	B2					
336	2413000100	DRAWER ASSEMBLY.	1	B2					
1109	2600940900	HOSE L=290 mm	1	B2					
1112	2600941200	HOSE L=140 mm	1	B2					
1709	2600944100	HOSE L=80 mm	1	B2					
					146	2862100500	DETERGENT BOX GROUP	1	B2
					336	2862300100	DRAWER ASSEMBLY.	1	B2
					1105	2600940500	HOSE L=300 mm	1	B2
					1112	2600941200	HOSE L=140 mm	1	B2
					1119	2600941900	HOSE L=90 mm	1	B2
					99	2818490100	SIPHON (BLUE)	1	B2

### CODE EXPLANATION :

**A**-Old stocks can be used; Old & new parts are fully interchangeable

**B**-Old stocks can be used; Old parts are interchangeable with old productions & new parts are interchangeable with new productions

**C**-Old stocks can not be used. New parts are interchangeable with old & new productions

**D**-Old stocks can not be used. New parts are interchangeable with new productions

**E**-Old stocks can be used in old productions. New parts are interchangeable with old & new productions

**1**-Performance / **2**-Production improvement / **3**-Safety / **4**-Material or dimension change / **5**-Additional part / **6**-Part cancellation / **7**-Alternative use

### INFORMATION ABOUT THE PRODUCT CHANGES

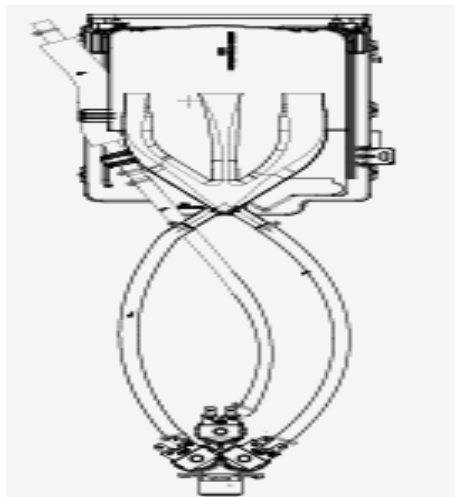
No	Date	Brand	Model	Started from	Finished at	Signature
1						
2						

PART - GROUP CHANGE NOTIFICATION					Bulletin no	Rev no	Date
arçelik	Prepared by	Musa ALTIPARMAK-Işıl ERCAN			WM_2015_9	0	01.06.2015
	Approved by	Burçin SOMER					
	Copy to	TH-YPLB		ÇMİ-MTK1	ÇMİ-ÜPB	ÇMİ-MÜT	
		ÇMİ-KGB		ÇMİ-MTK2	ÇMİ-MTK3	Other .....	

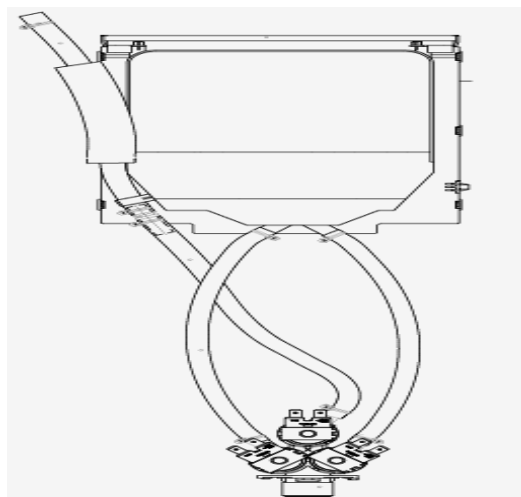
### TECHNICAL EXPLANATION OF THE CHANGE

Issue	<b>DETERGENT BOX COMPLETE ASSEMBLY</b>
Explanation:	Detergent box assembly has been changed to improve perceived quality of users. Old stocks can be used; Old parts are interchangeable with old productions & new parts are interchangeable with new productions.

AFTER



BEFORE



### INFORMATION ABOUT THE PART CHANGES

Ser. Ref	New part(s)				Ser. Ref	Old Part(s)			
	Stock number	Part name	Aset	Code		Stock number	Part name	Aset	Code
146	2412700100	DETERGENT BOX GROUP	1	B2					
336	2413000100	DRAWER ASSEMBLY.	1	B2					
1103	2907190300	HOSE L=120 mm	2	B2					
1105	2907190500	HOSE L=300 mm	1	B2					
1507	2907193200	HOSE L=45 mm	2	B2					
					146	2862100500	DETERGENT BOX GROUP	1	B2
					336	2862300100	DRAWER ASSEMBLY.	1	B2
					1103	2600940300	HOSE L=120 mm	2	B2
					1105	2600940500	HOSE L=300 mm	1	B2
					1507	2600943200	HOSE L=45 mm	2	B2
					99	2818490100	SIPHON (BLUE)	1	B2

#### CODE EXPLANATION :

**A**-Old stocks can be used; Old & new parts are fully interchangeable

**B**-Old stocks can be used; Old parts are interchangeable with old productions & new parts are interchangeable with new productions

**C**-Old stocks can not be used. New parts are interchangeable with old & new productions

**D**-Old stocks can not be used. New parts are interchangeable with new productions

**E**-Old stocks can be used in old productions. New parts are interchangeable with old & new productions

**1**-Performance / **2**-Production improvement / **3**-Safety / **4**-Material or dimension change / **5**-Additional part / **6**-Part cancellation / **7**-Alternative use

### INFORMATION ABOUT THE PRODUCT CHANGES

No	Date	Brand	Model	Started from	Finished at	Signature
1	12.01.2012					
2						

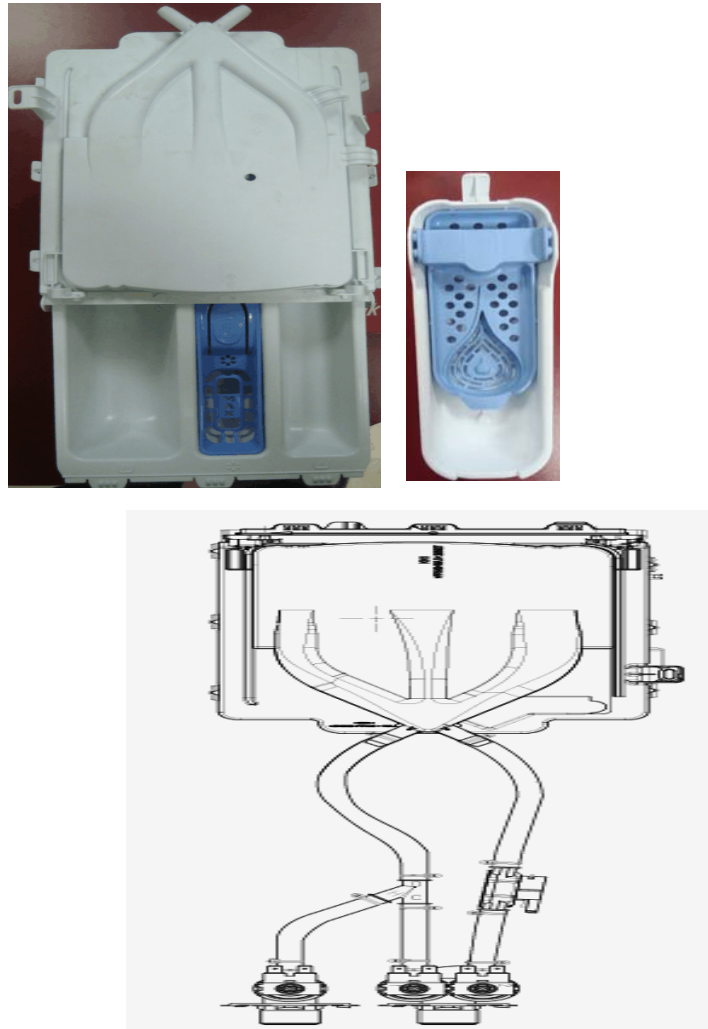
PART - GROUP CHANGE NOTIFICATION					Bulletin no	Rev no	Date	
<b>arçelik</b>	Prepared by	Musa ALTIPARMAK-İşıl ERCAN			WM_2015_9	0	01.06.2015	
	Approved by	Burçin SOMER						
	Copy to	TH-YPLB		ÇMI-MTK1	ÇMI-ÜPB		ÇMI-MÜT	
		ÇMI-KGB		ÇMI-MTK2	ÇMI-MTK3		Other .....	

### TECHNICAL EXPLANATION OF THE CHANGE

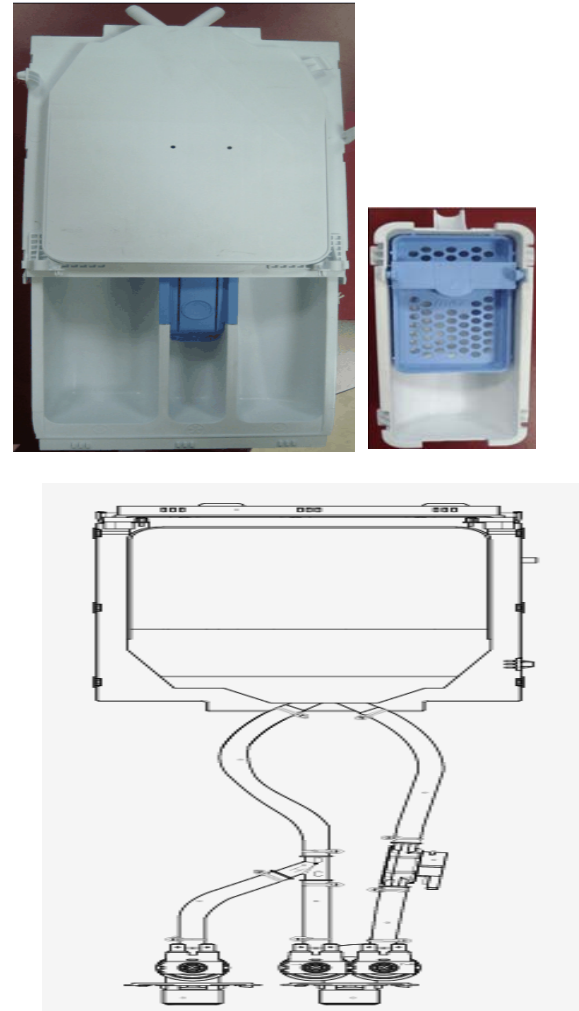
**Issue** **DETERGENT BOX COMPLETE ASSEMBLY**

**Explanation:** Detergent box assembly has been changed to improve perceived quality of users.  
Old stocks can be used; Old parts are interchangeable with old productions & new parts are interchangeable with new productions.

**AFTER**



**BEFORE**



### INFORMATION ABOUT THE PART CHANGES

Ser. Ref	New part(s)			Code	Ser. Ref	Old Part(s)			Code
	Stock number	Part name	Aset			Stock number	Part name	Aset	
146	2412700100	DETERJAN KUTUSU GR.	1	B2					
336	2413000100	CEKMECE GR	1	B2					
1817	2907195000	HORTUM L=145 mm	1	B2					
1102	2907190200	HORTUM L=160 mm	1	B2					
1711	2907194300	HORTUM L=85 mm	1	B2					
99	2832670100	SIPHON (BLUE)	1	B2					
					146	2862100500	DETERGENT BOX GROUP	1	B2
					336	2862300100	DRAWER ASSEMBLY.	1	B2
					1108	2600940800	HOSE L=150 mm	1	B2
					1121	2600942100	HOSE L=170 mm	1	B2
					1119	2600941900	HOSE L=90 mm	1	B2
					99	2818490100	SIPHON (BLUE)	1	B2

### CODE EXPLANATION :

**A**-Old stocks can be used; Old & new parts are fully interchangeable

**B**-Old stocks can be used; Old parts are interchangeable with old productions & new parts are interchangeable with new productions

**C**-Old stocks can not be used. New parts are interchangeable with old & new productions

**D**-Old stocks can not be used. New parts are interchangeable with new productions

**E**-Old stocks can be used in old productions. New parts are interchangeable with old & new productions

**1**-Performance / **2**-Production improvement / **3**-Safety / **4**-Material or dimension change / **5**-Additional part / **6**-Part cancellation / **7**-Alternative use

### INFORMATION ABOUT THE PRODUCT CHANGES

No	Date	Brand	Model	Started from	Finished at	Signature
1						
2						

## PART - GROUP CHANGE NOTIFICATION

<b>arçelik</b>	<b>Prepared by</b>	Musa ALTIPARMAK-İşil ERCAN			<b>Bulletin no</b>	<b>Rev no</b>	<b>Date</b>
	<b>Approved by</b>	Burçin SOMER			WM_2015_9	0	01.06.2015
<b>Copy to</b>	TH-YPLB		ÇMİ-MTk1		ÇMİ-ÜPB		ÇMİ-MÜT
	ÇMİ-KGB		ÇMİ-MTk2		ÇMİ-MTk3		Other .....

## TECHNICAL EXPLANATION OF THE CHANGE

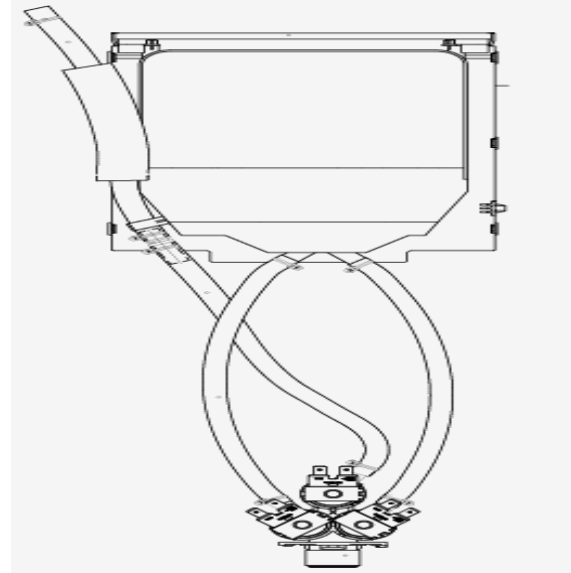
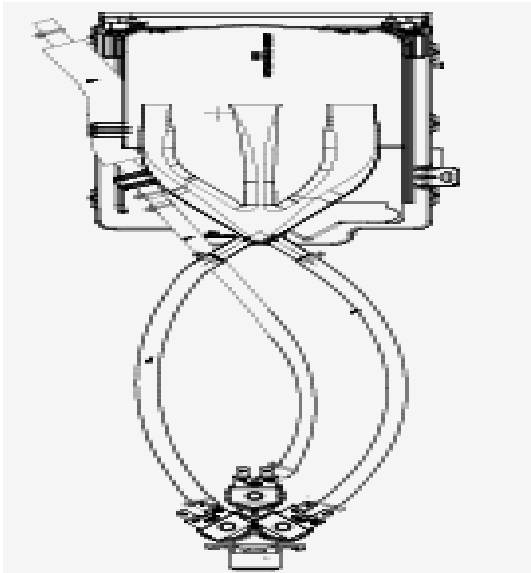
**Issue** **DETERGENT BOX COMPLETE ASSEMBLY**

**Explanation:** Detergent box assembly has been changed to improve perceived quality of users.  
Old stocks can be used; Old parts are interchangeable with old productions & new parts are interchangeable with new productions.

AFTER



BEFORE



## INFORMATION ABOUT THE PART CHANGES

Ser. Ref	New part(s)			Code	Ser. Ref	Old Part(s)			Code
	Stock number	Part name	Aset			Stock number	Part name	Aset	
146	2412700200	DETERGENT BOX GROUP	1	B2					
336	2413000100	DRAWER ASSEMBLY.	1	B2					
1109	2907190900	HOSE L=290 mm	2	B2					
1539	2907193500	HOSE L=310 mm	1	B2					
99	2832670100	SIPHON (BLUE)	1	B2					
					146	2862100600	DETERGENT BOX GROUP	1	B2
					336	2862300200	DRAWER ASSEMBLY.	1	B2
					1105	2600940500	HOSE L=300 mm	2	B2
					1116	2600941600	HOSE L= 320 mm	1	B2

## CODE EXPLANATION :

**A**-Old stocks can be used; Old & new parts are fully interchangeable

**B**-Old stocks can be used; Old parts are interchangeable with old productions & new parts are interchangeable with new productions

**C**-Old stocks can not be used. New parts are interchangeable with old & new productions


**D**-Old stocks can not be used. New parts are interchangeable with new productions

**E**-Old stocks can be used in old productions. New parts are interchangeable with old & new productions

**1**-Performance / **2**-Production improvement / **3**-Safety / **4**-Material or dimension change / **5**-Additional part / **6**-Part cancellation / **7**-Alternative use

## INFORMATION ABOUT THE PRODUCT CHANGES

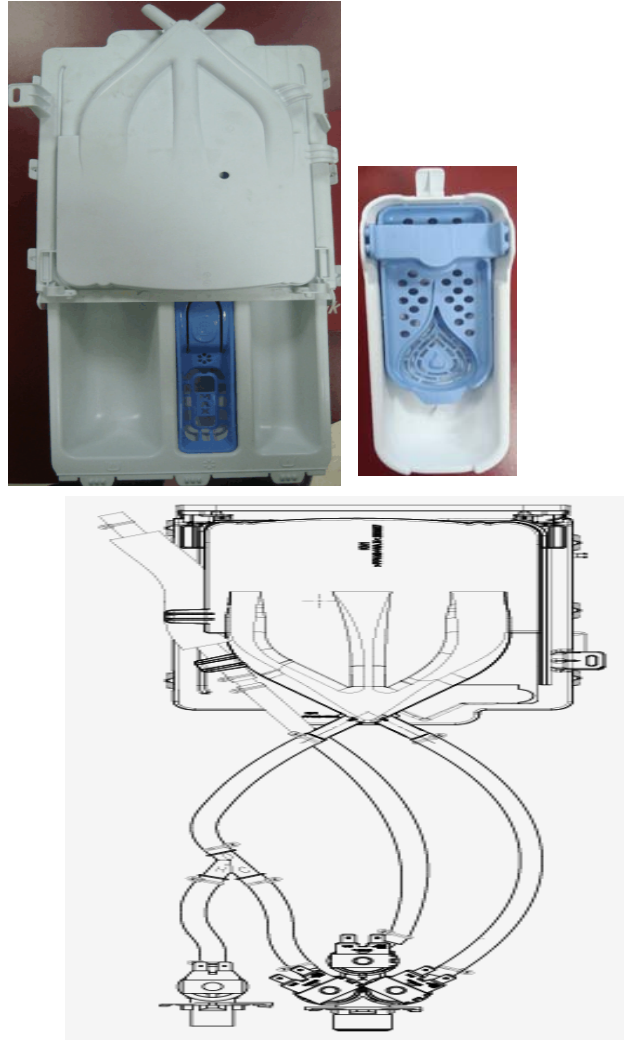
No	Date	Brand	Model	Started from	Finished at	Signature
1						
2						

PART - GROUP CHANGE NOTIFICATION					Bulletin no	Rev no	Date	
	Prepared by	Musa ALTIPARMAK-İşıl ERCAN			WM_2015_9	0	01.06.2015	
	Approved by	Burçin SOMER						
	Copy to	TH-YPLB		ÇMI-MTK1	ÇMI-ÜPB		ÇMI-MÜT	
		ÇMI-KGB		ÇMI-MTK2	ÇMI-MTK3		Other .....	

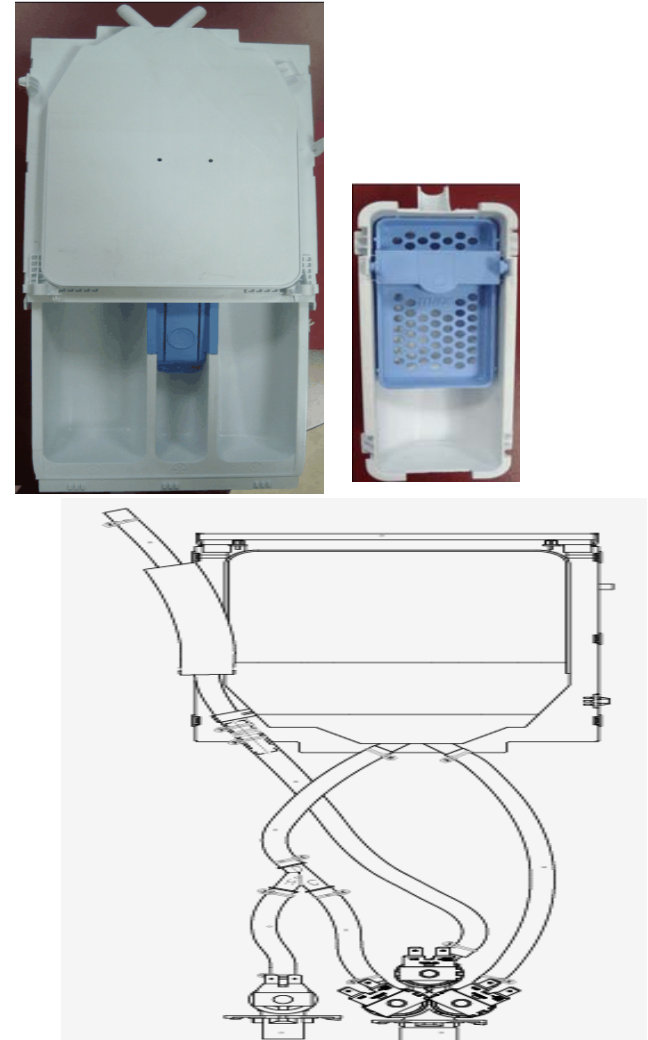
### TECHNICAL EXPLANATION OF THE CHANGE

<b>Issue</b>	<b>DETERGENT BOX COMPLETE ASSEMBLY</b>
<b>Explanation:</b>	<p>Old stocks can be used; Old parts are interchangeable with old productions &amp; new parts are interchangeable with new productions.</p> <p>Detergent box assembly has been changed to improve perceived quality of users.</p>

**AFTER**



**BEFORE**



### INFORMATION ABOUT THE PART CHANGES

Ser. Ref	New part(s)			Code	Ser. Ref	Old Part(s)			Code
	Stock number	Part name	Aset			Stock number	Part name	Aset	
146	2412700200	DETERGENT BOX GROUP	1	B2					
336	2413000100	DRAWER ASSEMBLY.	1	B2					
1109	2907190900	HOSE L=290 mm	1	B2					
1100	2907192500	HOSE L=175 mm	1	B2					
1539	2907193500	HOSE L=310 mm	1	B2					
99	2832670100	DRAIN (Blue)	1	B2					
					146	2862100600	DETERGENT BOX GROUP	1	B2
					336	2862300100	DRAWER ASSEMBLY.	1	B2
					1105	2600940500	HOSE L=300 mm	1	B2
					1111	2600941100	HOSE L=185 mm	1	B2
					1116	2600941600	HOSE L= 320 mm	1	B2
					99	2818490100	SIPHON (BLUE)	1	B2

#### CODE EXPLANATION :

**A**-Old stocks can be used; Old & new parts are fully interchangeable

**B**-Old stocks can be used; Old parts are interchangeable with old productions & new parts are interchangeable with new productions

**C**-Old stocks can not be used. New parts are interchangeable with old & new productions

**D**-Old stocks can not be used. New parts are interchangeable with new productions

**E**-Old stocks can be used in old productions. New parts are interchangeable with old & new productions

**1**-Performance / **2**-Production improvement / **3**-Safety / **4**-Material or dimension change / **5**-Additional part / **6**-Part cancellation / **7**-Alternative use

### INFORMATION ABOUT THE PRODUCT CHANGES

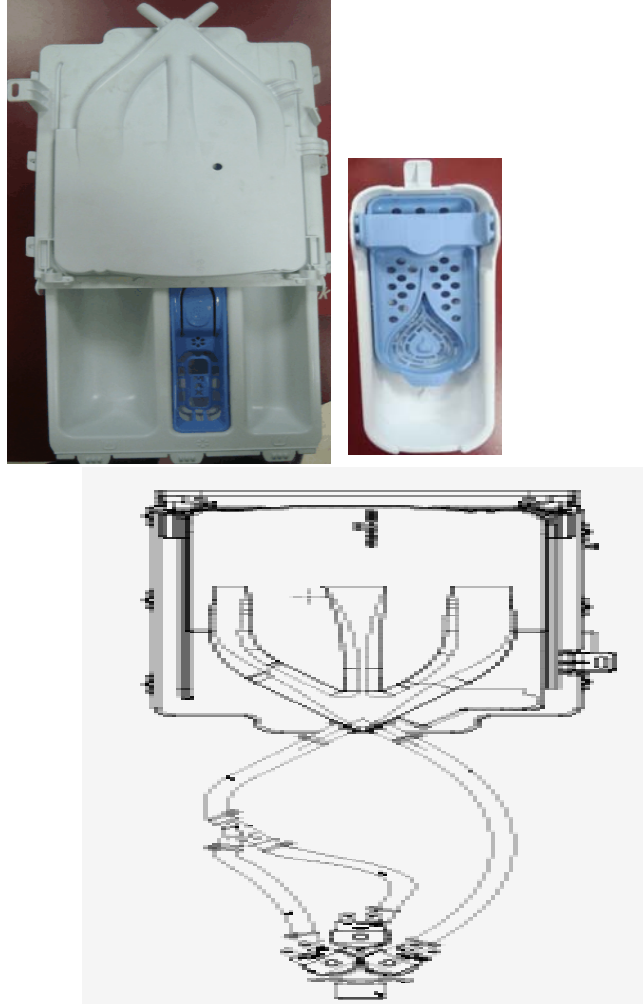
No	Date	Brand	Model	Started from	Finished at	Signature
1						
2						

PART - GROUP CHANGE NOTIFICATION				Bulletin no	Rev no	Date	
arçelik	Prepared by	Musa ALTIPARMAK-Işıl ERCAN			WM_2015_9	0	01.06.2015
	Approved by	Burçin SOMER					
	Copy to	TH-YPLB	ÇMI-MTK1	ÇMI-ÜPB	ÇMI-MÜT		
		ÇMI-KGB	ÇMI-MTK2	ÇMI-MTK3		Other .....	

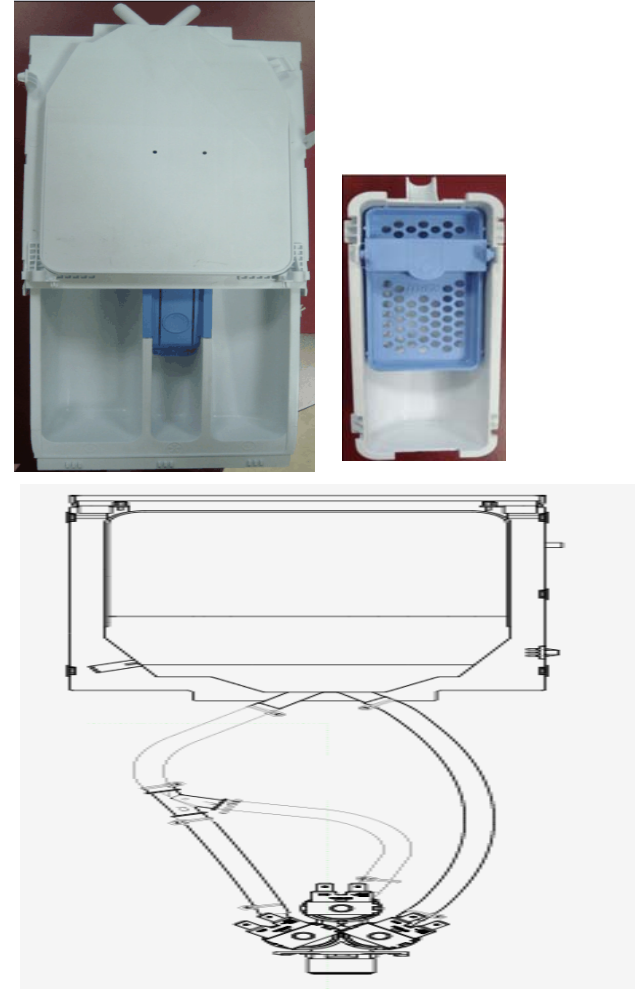
### TECHNICAL EXPLANATION OF THE CHANGE

Issue	<b>DETERGENT BOX COMPLETE ASSEMBLY</b>
Explanation:	Detergent box assembly has been changed to improve perceived quality of users. Old stocks can be used; Old parts are interchangeable with old productions & new parts are interchangeable with new productions.

#### AFTER



#### BEFORE



### INFORMATION ABOUT THE PART CHANGES

Ser. Ref	New part(s)			Code	Ser. Ref	Old Part(s)			Code
	Stock number	Part name	Aset			Stock number	Part name	Aset	
146	2412700100	DETERGENT BOX GROUP	1	B2					
336	2413000100	DRAWER ASSEMBLY.	1	B2					
1110	2907191000	HOSE L=225 mm	1	B2					
1120	2907192000	HOSE L=100 mm	1	B2					
1103	2907190300	HOSE L=120 mm	1	B2					
1538	2907193400	HOSE L=110 mm	1	B2					
					146	2862100500	DETERGENT BOX GROUP	1	B2
					336	2862300100	DRAWER ASSEMBLY.	1	B2
					1103	2600940300	HOSE L=120 mm	1	B2
					1110	2600941000	HOSE L=225 mm	1	B2
					1402	2600942600	HOSE L=75 mm	1	B2
					1410	2600942800	HOSE L=130 mm	1	B2
					99	2818490100	SIPHON (BLUE)	1	B2

#### CODE EXPLANATION :

**A**-Old stocks can be used; Old & new parts are fully interchangeable

**B**-Old stocks can be used; Old parts are interchangeable with old productions & new parts are interchangeable with new productions

**C**-Old stocks can not be used. New parts are interchangeable with old & new productions


**D**-Old stocks can not be used. New parts are interchangeable with new productions

**E**-Old stocks can be used in old productions. New parts are interchangeable with old & new productions

**1**-Performance / **2**-Production improvement / **3**-Safety / **4**-Material or dimension change / **5**-Additional part / **6**-Part cancellation / **7**-Alternative use

### INFORMATION ABOUT THE PRODUCT CHANGES

No	Date	Brand	Model	Started from	Finished at	Signature
1						
2						

PART - GROUP CHANGE NOTIFICATION				Bulletin no	Rev no	Date		
	Prepared by	Musa ALTIPARMAK-Işıl ERCAN			WM_2015_9	0	01.06.2015	
	Approved by	Burçin SOMER						
	Copy to	TH-YPLB		ÇMI-MTk1	ÇMI-ÜPB		ÇMI-MÜT	
		ÇMI-KGB		ÇMI-MTk2	ÇMI-MTk3		Other .....	

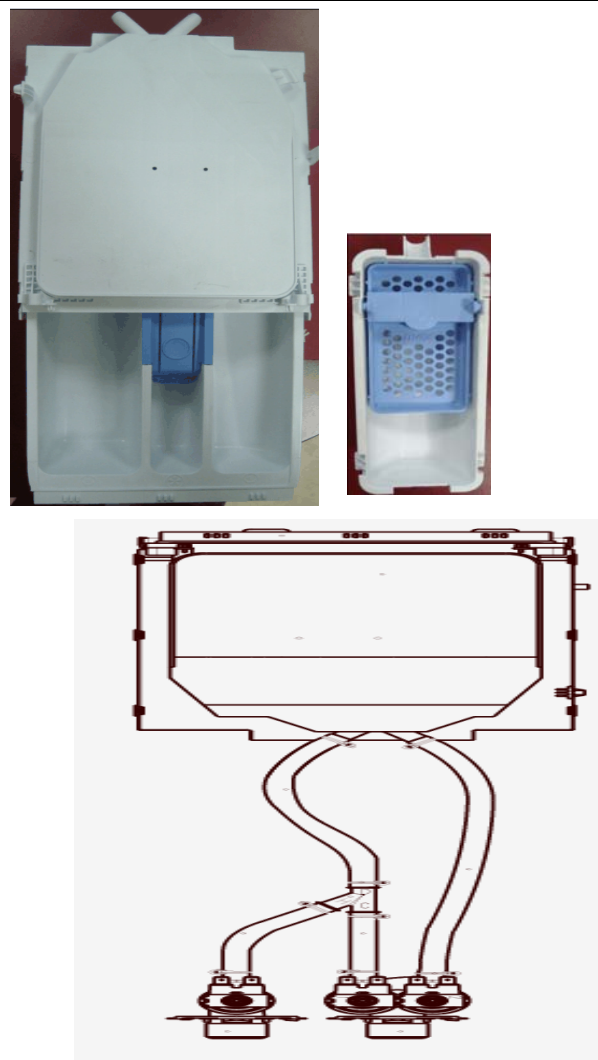
### TECHNICAL EXPLANATION OF THE CHANGE

Issue	<b>DETERGENT BOX COMPLETE ASSEMBLY</b>
Explanation:	<p>DETERGENT BOX ASSEMBLY HAS BEEN CHANGED TO IMPROVE PERCEIVED QUALITY OF USERS.</p> <p>Old stocks can be used; Old parts are interchangeable with old productions &amp; new parts are interchangeable with new productions.</p>

AFTER



BEFORE



### INFORMATION ABOUT THE PART CHANGES

Ser. Ref	New part(s)				Ser. Ref	Old Part(s)			
	Stock number	Part name	Aset	Code		Stock number	Part name	Aset	Code
146	2412700100	DETERGENT BOX GROUP	1	B2					
336	2413000100	DRAWER ASSEMBLY.	1	B2					
1117	2907191700	HOSE L=235 mm	1	B2					
1402	2907192600	HOSE L=75 mm	1	B2					
1709	2907194100	HOSE L=80 mm	2	B2					
1817	2907195000	HOSE L=145 mm	1	B2					
					146	2862100500	DETERGENT BOX GROUP	1	B2
					336	2862300200	DRAWER ASSEMBLY.	1	B2
					1107	2600940700	HOSE L=260 mm	1	B2
					1120	2600942000	HOSE L=100 mm	2	B2
					1410	2600942800	HOSE L=130 mm	1	B2

#### CODE EXPLANATION :

**A**-Old stocks can be used; Old & new parts are fully interchangeable

**B**-Old stocks can be used; Old parts are interchangeable with old productions & new parts are interchangeable with new productions

**C**-Old stocks can not be used. New parts are interchangeable with old & new productions

**D**-Old stocks can not be used. New parts are interchangeable with new productions

**E**-Old stocks can be used in old productions. New parts are interchangeable with old & new productions

**1**-Performance / **2**-Production improvement / **3**-Safety / **4**-Material or dimension change / **5**-Additional part / **6**-Part cancellation / **7**-Alternative use

### INFORMATION ABOUT THE PRODUCT CHANGES

No	Date	Brand	Model	Started from	Finished at	Signature
1						
2						



PART - GROUP CHANGE NOTIFICATION				Bulletin no	Rev no	Date	
arçelik	Prepared by	Musa ALTIPARMAK-İşıl ERCAN			WM_2015_9	0	01.06.2015
	Approved by	Banış TEKDEMİR					
	Copy to	TH-YPLB	ÇMI-MTK1		ÇMI-ÜPB		ÇMI-MÜT
		ÇMI-KGB	ÇMI-MTK2		ÇMI-MTK3		Other .....

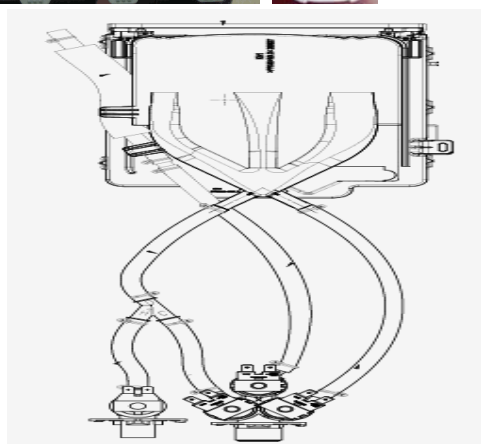
### TECHNICAL EXPLANATION OF THE CHANGE

Issue **DETERGENT BOX COMPLETE ASSEMBLY**

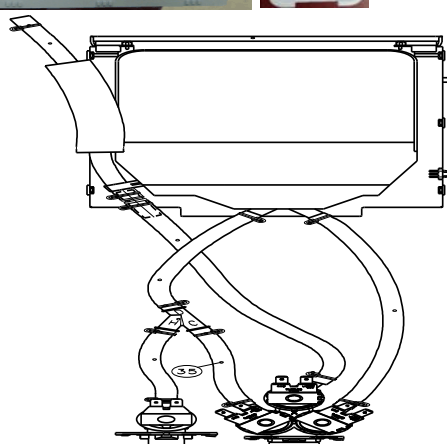
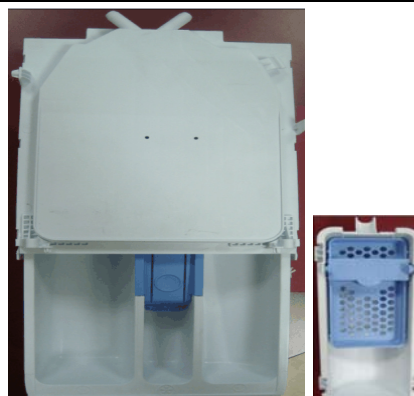
**Explanation:** Detergent box assembly has been changed to improve perceived quality of users.

Old stocks can be used; Old parts are interchangeable with old productions & new parts are interchangeable with new productions.

AFTER



BEFORE



### INFORMATION ABOUT THE PART CHANGES

Ser. Ref	New part(s)				Ser. Ref	Old Part(s)			
	Stock number	Part name	Aset	Code		Stock number	Part name	Aset	Code
146	2412700200	DETERGENT BOX GROUP	1	B2					
336	2413000100	DRAWER ASSEMBLY.	1	B2					
1118	2907191800	HOSE L=250 mm	1	B2					
1103	2907190300	HOSE L=120 mm	2	B2					
1119	2907191900	HOSE L=90 mm	1	B2					
1107	2907190700	HOSE L=260 mm	1	B2					
146	2412700100	DETERGENT BOX GROUP	1	B2					
1703	2907194700	DRAWER ASSEMBLY.	1	B2					
1709	2907194100	HOSE L=220 mm	1	B2					
1103	2907190300	HOSE L=80 mm	1	B2					
		HOSE L=120 mm	1	B2					
					146	2862100600	DETERGENT BOX GROUP	1	B2
					336	2862300200	DRAWER ASSEMBLY.	1	B2
					1712	2600944400	HOSE L=255 mm	1	B2
					1119	2600941900	HORTUM L=90 mm	2	B2
					1410	2600942800	HORTUM L=130 mm	1	B2
					1115	2600941500	HORTUM L=270 mm	1	B2
					1105	2600940500	HORTUM L=300 mm	1	B2
					1494	2707660200	PROTECTIVE SLEEVE	1	B2
					146	2862100500	DETERGENT BOX GROUP	1	B2
					1110	2600941000	DRAWER ASSEMBLY.	1	B2
					1402	2600942600	HORTUM L=225 mm	1	B2
					1103	2600940300	HORTUM L=75 mm	1	B2
					1403	2600942700	HORTUM L=120 mm	1	B2
							HORTUM L=60 mm	1	B2

#### CODE EXPLANATION :

**A**-Old stocks can be used; Old & new parts are fully interchangeable

**B**-Old stocks can be used; Old parts are interchangeable with old productions & new parts are interchangeable with new productions

**C**-Old stocks can not be used. New parts are interchangeable with old & new productions

**D**-Old stocks can not be used. New parts are interchangeable with new productions

**E**-Old stocks can be used in old productions. New parts are interchangeable with old & new productions

**1**-Performance / **2**-Production improvement / **3**-Safety / **4**-Material or dimension change / **5**-Additional part / **6**-Part cancellation / **7**-Alternative use

### INFORMATION ABOUT THE PRODUCT CHANGES

No	Date	Brand	Model	Started from	Finished at	Signature
1						
2						

PART - GROUP CHANGE NOTIFICATION					Bulletin no	Rev no	Date
arçelik	Prepared by	Musa ALTIPARMAK-Işıl ERCAN			WM_2015_9	0	01.06.2015
	Approved by	Burçin SOMER					
	Copy to	TH-YPLB		ÇMİ-MTK1	ÇMİ-ÜPB		ÇMİ-MÜT
		ÇMİ-KGB		ÇMİ-MTK2	ÇMİ-MTK3		Other .....

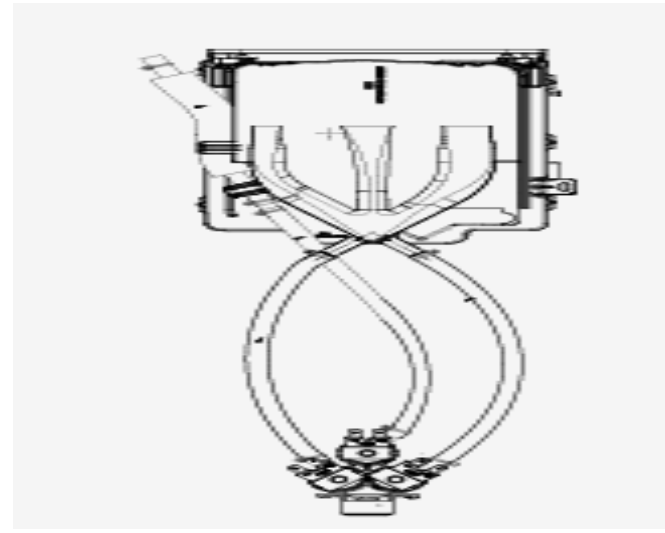
### TECHNICAL EXPLANATION OF THE CHANGE

#### Issue **DETERGENT BOX COMPLETE ASSEMBLY**

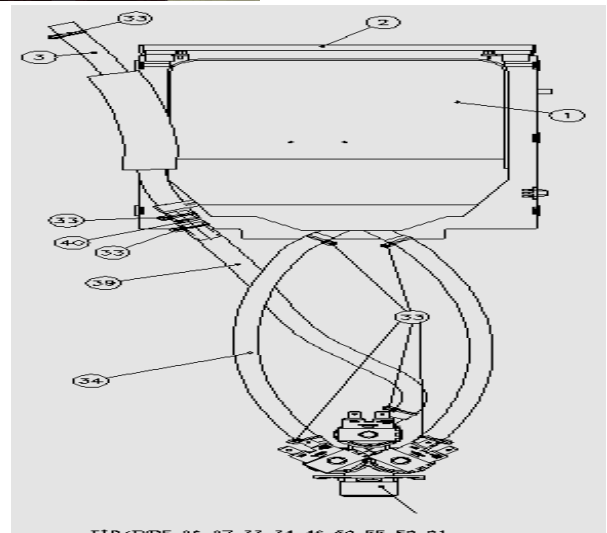
**Explanation:** Detergent box assembly has been changed to improve perceived quality of users.

Old stocks can be used; Old parts are interchangeable with old productions & new parts are interchangeable with new productions.

AFTER



BEFORE



TIP/TYPE 26-27-33-34-46-50-55-59-81

### INFORMATION ABOUT THE PART CHANGES

Ser. Ref	New part(s)				Ser. Ref	Old Part(s)			
	Stock number	Part name	Aset	Code		Stock number	Part name	Aset	Code
146	2412700200	DETERGENT BOX GROUP	1	B2					
336	2413000100	DRAWER ASSEMBLY.	1	B2					
1118	2907191800	HOSE L=250 mm	2	B2					
1107	2907190700	HOSE L=260 mm	1	B2					
					146	2862100600	DETERGENT BOX GROUP	1	B2
					336	2862300200	DRAWER ASSEMBLY.	1	B2
					1712	2600944400	HOSE L=255 mm	2	B2
					1115	2600941500	HOSE L=270 mm	1	B2
					1105	2600940500	HOSE L=300 mm	1	B2
					1494	2707660200	PROTECTIVE SLEEVE	1	B2

#### CODE EXPLANATION :

**A**-Old stocks can be used; Old & new parts are fully interchangeable

**B**-Old stocks can be used; Old parts are interchangeable with old productions & new parts are interchangeable with new productions

**C**-Old stocks can not be used. New parts are interchangeable with old & new productions

**D**-Old stocks can not be used. New parts are interchangeable with new productions

**E**-Old stocks can be used in old productions. New parts are interchangeable with old & new productions

**1**-Performance / **2**-Production improvement / **3**-Safety / **4**-Material or dimension change / **5**-Additional part / **6**-Part cancellation / **7**-Alternative use

### INFORMATION ABOUT THE PRODUCT CHANGES

No	Date	Brand	Model	Started from	Finished at	Signature
1						
2						

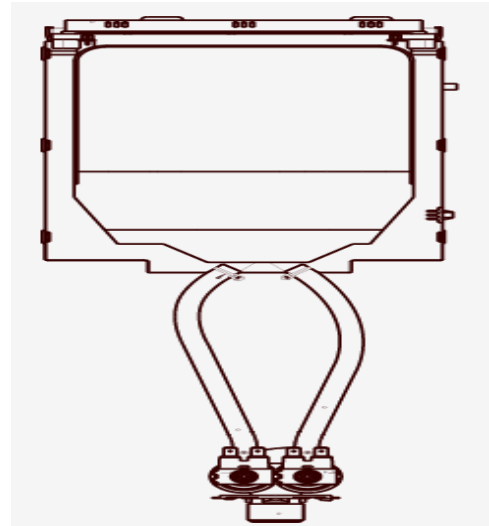
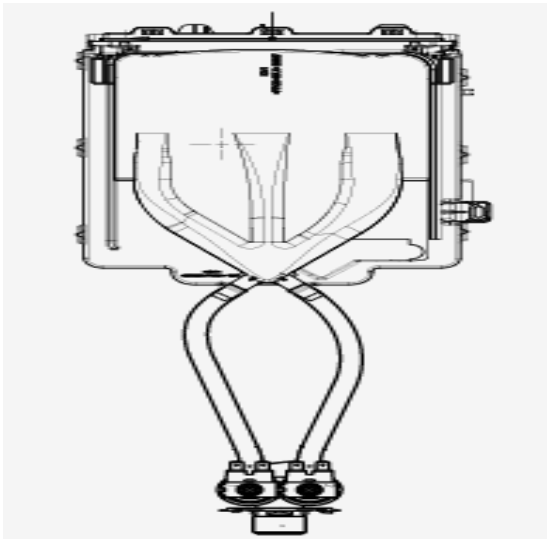
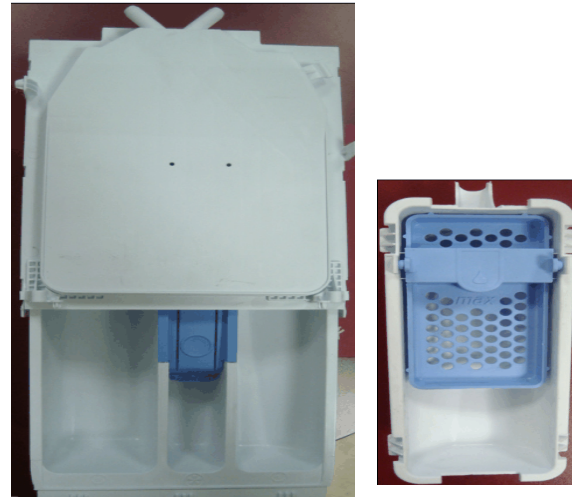
PART - GROUP CHANGE NOTIFICATION					Bulletin no	Rev no	Date
arçelik	Prepared by	Musa ALTIPARMAK-Işıl ERCAN			WM_2015_9	0	01.06.2015
	Approved by	Burçin SOMER					
	Copy to	TH-YPLB		ÇMİ-MTk1	ÇMİ-ÜPB		ÇMİ-MÜT
		ÇMİ-KGB		ÇMİ-MTk2	ÇMİ-MTk3		Other .....

### TECHNICAL EXPLANATION OF THE CHANGE

Issue	<b>DETERGENT BOX COMPLETE ASSEMBLY</b>
Explanation:	Detergent box assembly has been changed to improve perceived quality of users. Old stocks can be used; Old parts are interchangeable with old productions & new parts are interchangeable with new productions.

**AFTER**

**BEFORE**



### INFORMATION ABOUT THE PART CHANGES

Ser. Ref	New part(s)				Ser. Ref	Old Part(s)			
	Stock number	Part name	Aset	Code		Stock number	Part name	Aset	Code
146	2412700100	DETERGENT BOX GROUP	1	B2					
336	2413000100	DRAWER ASSEMBLY.	1	B2					
1109	2907190900	HOSE L=290 mm	1	B2					
					146	2862100500	DETERGENT BOX GROUP	1	B2
					336	2862300100	DRAWER ASSEMBLY.	1	B2
					1105	2600940500	HOSE L=300 mm	1	B2

### CODE EXPLANATION :

**A**-Old stocks can be used; Old & new parts are fully interchangeable

**B**-Old stocks can be used; Old parts are interchangeable with old productions & new parts are interchangeable with new productions

**C**-Old stocks can not be used. New parts are interchangeable with old & new productions

**D**-Old stocks can not be used. New parts are interchangeable with new productions

**E**-Old stocks can be used in old productions. New parts are interchangeable with old & new productions

**1**-Performance / **2**-Production improvement / **3**-Safety / **4**-Material or dimension change / **5**-Additional part / **6**-Part cancellation / **7**-Alternative use

### INFORMATION ABOUT THE PRODUCT CHANGES

No	Date	Brand	Model	Started from	Finished at	Signature
1						
2						

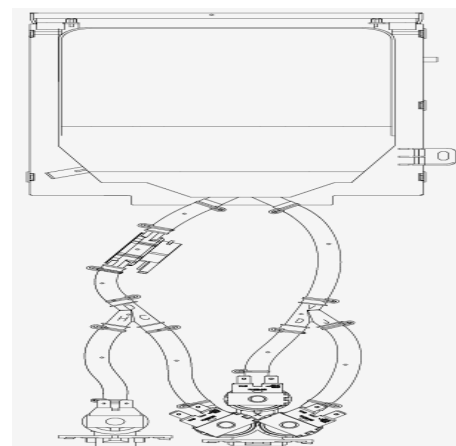
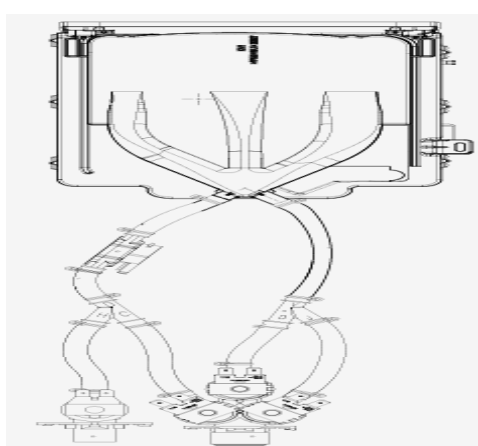
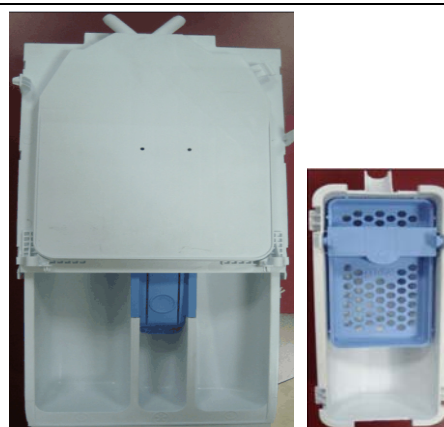
arçelik		PART - GROUP CHANGE NOTIFICATION			Bulletin no	Rev no	Date	
		Prepared by	Musa ALTIPARMAK-Işıl ERCAN			WM_2015_9	0	01.06.2015
Approved by	Burçin SOMER							
Copy to	TH-YPLB		ÇMI-MTK1		ÇMI-ÜPB		ÇMI-MÜT	
	ÇMI-KGB		ÇMI-MTK2		ÇMI-MTK3		Other .....	

## TECHNICAL EXPLANATION OF THE CHANGE

Issue	<b>DETERGENT BOX COMPLETE ASSEMBLY</b>
Explanation:	Detergent box assembly has been changed to improve perceived quality of users. Old stocks can be used; Old parts are interchangeable with old productions & new parts are interchangeable with new productions.

AFTER

BEFORE



## INFORMATION ABOUT THE PART CHANGES

Ser. Ref	New part(s)				Ser. Ref	Old Part(s)			
	Stock number	Part name	Aset	Code		Stock number	Part name	Aset	Code
146	2412700100	DETERGENT BOX GROUP	1	B2					
336	2413000100	DRAWER ASSEMBLY.	1	B2					
1402	2907192600	HOSE L=75 mm	3	B2					
1112	2907191200	HOSE L=140 mm	1	B2					
1403	2907192700	HOSE L=60 mm	2	B2					
1119	2907191900	HOSE L=90 mm	1	B2					
1103	2907190300	HOSE L=120 mm	1	B2					
1120	2600942000	HOSE L=100 mm	1	B2					
1507	2600943200	HOSE L=45 mm	2	B2					
1707	2600943800	HOSE L=70 mm	1	B2					
1710	2600944200	HOSE L=55 mm	1	B2					
1709	2600944100	HOSE L=80 mm	1	B2					
					146	2862100500	DETERGENT BOX GROUP	1	B2
					336	2862300100	DRAWER ASSEMBLY.	1	B2
					1402	2600942600	HOSE L=75 mm	3	B2
					1108	2600940800	HOSE L=150 mm	1	B2
					1403	2600942700	HOSE L=60 mm	2	B2
					1119	2600941900	HOSE L=90 mm	1	B2
					1103	2600940300	HOSE L=120 mm	1	B2
					1120	2600942000	HOSE L=100 mm	1	B2
					1507	2600943200	HOSE L=45 mm	1	B2
					1711	2600944300	HOSE L=85 mm	1	B2
					1402	2600942600	HOSE L=75 mm	1	B2

## CODE EXPLANATION :

A-Old stocks can be used; Old &amp; new parts are fully interchangeable

B-Old stocks can be used; Old parts are interchangeable with old productions &amp; new parts are interchangeable with new productions

C-Old stocks can not be used. New parts are interchangeable with old &amp; new productions


D-Old stocks can not be used. New parts are interchangeable with new productions

E-Old stocks can be used in old productions. New parts are interchangeable with old &amp; new productions

1-Performance / 2-Production improvement / 3-Safety / 4-Material or dimension change / 5-Additional part / 6-Part cancellation / 7-Alternative use

## INFORMATION ABOUT THE PRODUCT CHANGES

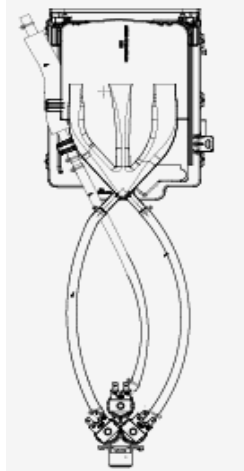
No	Date	Brand	Model	Started from	Finished at	Signature
1						
2						

PART - GROUP CHANGE NOTIFICATION					Bulletin no	Rev no	Date	
	Prepared by	Musa ALTIPARMAK-Işıl ERCAN			WM_2015_9	0	01.06.2015	
	Approved by	Burçin SOMER						
	Copy to	TH-YPLB		ÇMI-MTK1	ÇMI-ÜPB		ÇMI-MÜT	
		ÇMI-KGB		ÇMI-MTK2	ÇMI-MTK3		Other .....	

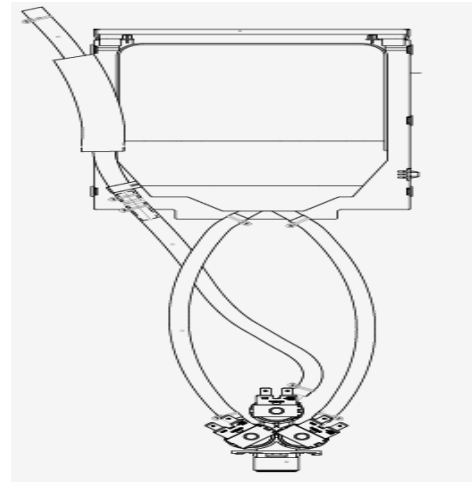
### TECHNICAL EXPLANATION OF THE CHANGE

Issue	<b>DETERGENT BOX COMPLETE ASSEMBLY</b>
Explanation:	Detergent box assembly has been changed to improve perceived quality of users. Old stocks can be used; Old parts are interchangeable with old productions & new parts are interchangeable with new productions.

**AFTER**



**BEFORE**



### INFORMATION ABOUT THE PART CHANGES

Ser. Ref	New part(s)			Code	Ser. Ref	Old Part(s)			Code
	Stock number	Part name	Aset			Stock number	Part name	Aset	
146	2412700100	DETERGENT BOX GROUP	1	B2					
336	2413000100	DRAWER ASSEMBLY.	1	B2					
1109	2907190900	HOSE L=290 mm	2	B2					
1662	2600944600	HOSE L=240 mm	2	B2					
1104	2600940400	HOSE L=215 mm	2	B2					
					146	2862100500	DETERGENT BOX GROUP	1	B2
					336	2862300200	DRAWER ASSEMBLY.	1	B2
					1105	2600940500	HOSE L=300 mm	2	B2
					1712	2600944400	HOSE L=255 mm	2	B2
					1110	2600941000	HOSE L=225 mm	2	B2

#### CODE EXPLANATION :

**A**-Old stocks can be used; Old & new parts are fully interchangeable

**B**-Old stocks can be used; Old parts are interchangeable with old productions & new parts are interchangeable with new productions

**C**-Old stocks can not be used. New parts are interchangeable with old & new productions

**D**-Old stocks can not be used. New parts are interchangeable with new productions

**E**-Old stocks can be used in old productions. New parts are interchangeable with old & new productions

**1**-Performance / **2**-Production improvement / **3**-Safety / **4**-Material or dimension change / **5**-Additional part / **6**-Part cancellation / **7**-Alternative use

### INFORMATION ABOUT THE PRODUCT CHANGES

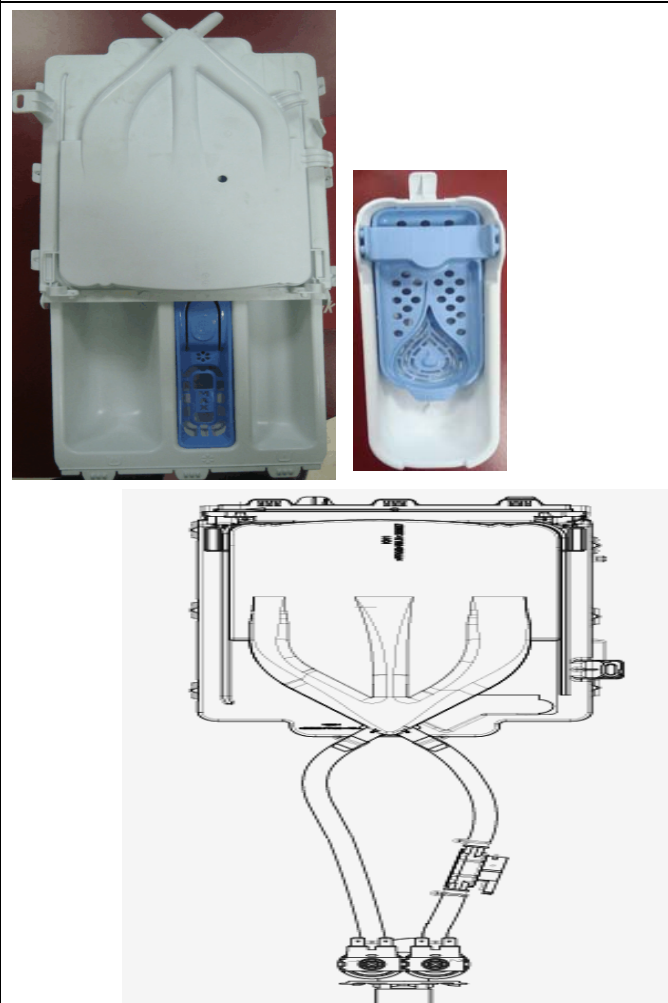
No	Date	Brand	Model	Started from	Finished at	Signature
1						
2						

PART - GROUP CHANGE NOTIFICATION					Bulletin no	Rev no	Date
arçelik	Prepared by	Musa ALTIPARMAK-Işıl ERCAN			WM_2015_9	0	01.06.2015
	Approved by	Burçin SOMER					
	Copy to	TH-YPLB		ÇMİ-MTK1	ÇMİ-ÜPB	ÇMİ-MÜT	
		ÇMİ-KGB		ÇMİ-MTK2	ÇMİ-MTK3	Other .....	

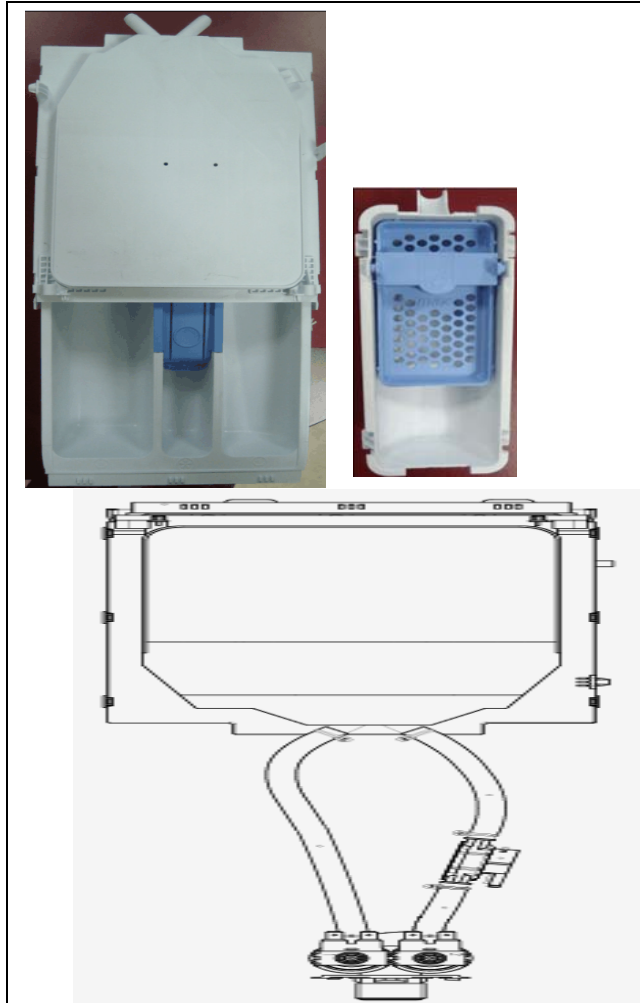
### TECHNICAL EXPLANATION OF THE CHANGE

Issue	<b>DETERGENT BOX COMPLETE ASSEMBLY</b>
Explanation:	Detergent box assembly has been changed to improve perceived quality of users. Old stocks can be used; Old parts are interchangeable with old productions & new parts are interchangeable with new productions.

AFTER



BEFORE



### INFORMATION ABOUT THE PART CHANGES

Ser. Ref	New part(s)				Ser. Ref	Old Part(s)			
	Stock number	Part name	Aset	Code		Stock number	Part name	Aset	Code
146	2412700100	DETERGENT BOX GROUP	1	B2					
336	2413000100	DRAWER ASSEMBLY.	1	B2					
1109	2907190900	HOSE L=290 mm	1	B2					
1112	2907191200	HOSE L=140 mm	1	B2					
1711	2907194300	HOSE L=85 mm	1	B2					
					146	2862100500	DETERGENT BOX GROUP	1	B2
					336	2862300100	DRAWER ASSEMBLY.	1	B2
					1105	2600940500	HOSE L=300 mm	1	B2
					1108	2600940800	HOSE L=150 mm	1	B2
					1119	2600941900	HOSE L=90 mm	1	B2
					99	2818490100	SIPHON (BLUE)	1	B2

### CODE EXPLANATION :

**A**-Old stocks can be used; Old & new parts are fully interchangeable

**B**-Old stocks can be used; Old parts are interchangeable with old productions & new parts are interchangeable with new productions

**C**-Old stocks can not be used. New parts are interchangeable with old & new productions


**D**-Old stocks can not be used. New parts are interchangeable with new productions

**E**-Old stocks can be used in old productions. New parts are interchangeable with old & new productions

**1**-Performance / **2**-Production improvement / **3**-Safety / **4**-Material or dimension change / **5**-Additional part / **6**-Part cancellation / **7**-Alternative use

### INFORMATION ABOUT THE PRODUCT CHANGES

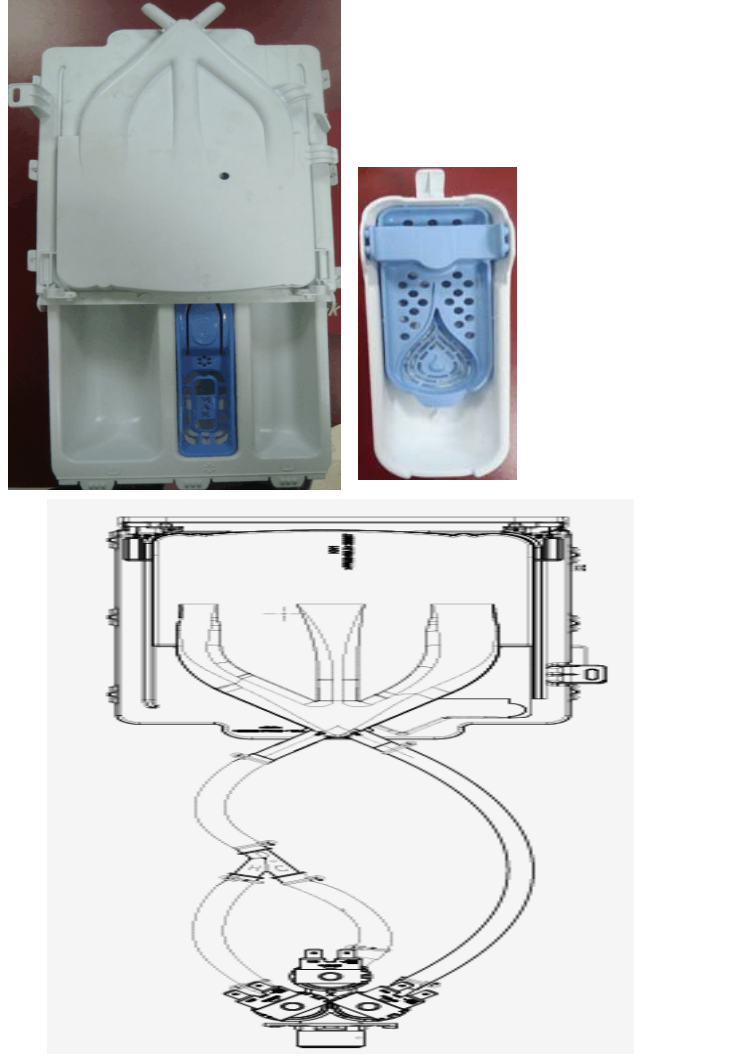
No	Date	Brand	Model	Started from	Finished at	Signature
1						
2						

PART - GROUP CHANGE NOTIFICATION					Bulletin no	Rev no	Date
	Prepared by	Musa ALTIPARMAK-Işıl ERCAN			WM_2015_9	0	01.06.2015
	Approved by	Burçin SOMER					
	Copy to	TH-YPLB		ÇMI-MTK1	ÇMI-ÜPB		ÇMI-MÜT
		ÇMI-KGB		ÇMI-MTK2	ÇMI-MTK3		Other .....

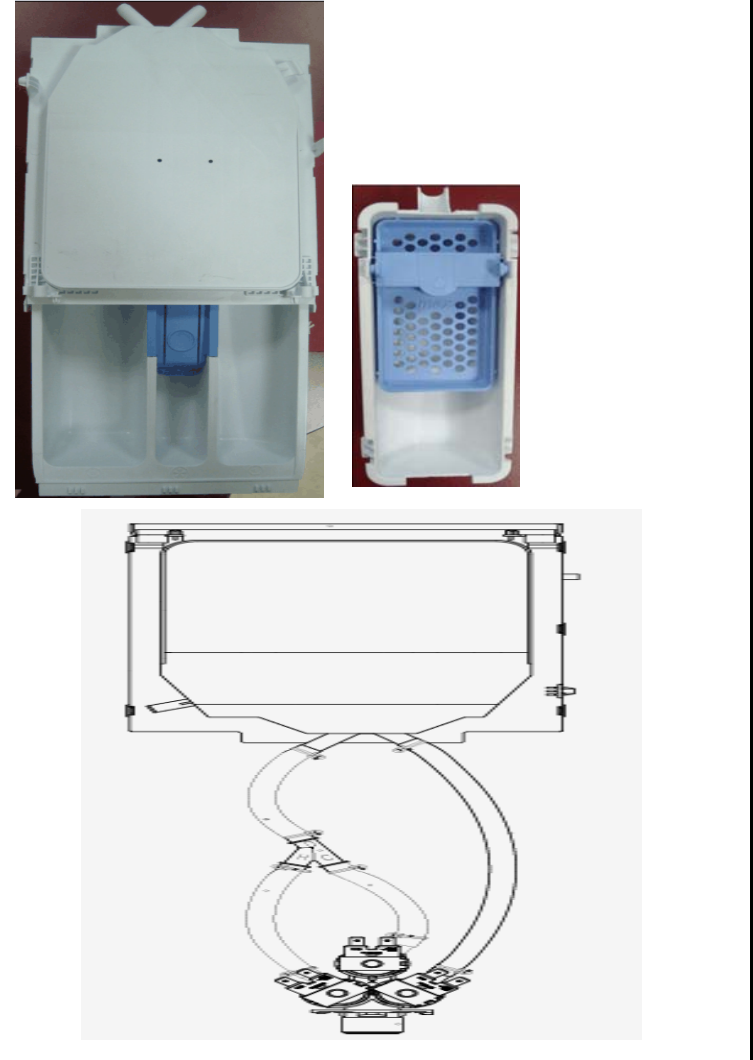
### TECHNICAL EXPLANATION OF THE CHANGE

Issue	<b>DETERGENT BOX COMPLETE ASSEMBLY</b>
Explanation:	Detergent box assembly has been changed to improve perceived quality of users. Old stocks can be used; Old parts are interchangeable with old productions & new parts are interchangeable with new productions.

**AFTER**



**BEFORE**



### INFORMATION ABOUT THE PART CHANGES

Ser. Ref	New part(s)			Code	Ser. Ref	Old Part(s)			Code
	Stock number	Part name	Aset			Stock number	Part name	Aset	
146	2412700100	DETERGENT BOX GROUP	1	B2					
336	2413000100	DRAWER ASSEMBLY.	1	B2					
1109	2907190900	HOSE L=290 mm	1	B2					
1410	2907192800	HOSE L=130 mm	3	B2					
1112	2907191200	HOSE L=140 mm	1	B2					
					146	2862100500	DETERGENT BOX GROUP	1	B2
					336	2862300100	DRAWER ASSEMBLY.	1	B2
					1105	2600940500	HOSE L=300 mm	1	B2
					1112	2600941200	HOSE L=140 mm	3	B2
					99	2818490100	SIPHON (BLUE)	1	B2

### CODE EXPLANATION :

**A**-Old stocks can be used; Old & new parts are fully interchangeable

**B**-Old stocks can be used; Old parts are interchangeable with old productions & new parts are interchangeable with new productions

**C**-Old stocks can not be used. New parts are interchangeable with old & new productions

**D**-Old stocks can not be used. New parts are interchangeable with new productions

**E**-Old stocks can be used in old productions. New parts are interchangeable with old & new productions

**1**-Performance / **2**-Production improvement / **3**-Safety / **4**-Material or dimension change / **5**-Additional part / **6**-Part cancellation / **7**-Alternative use

### INFORMATION ABOUT THE PRODUCT CHANGES

No	Date	Brand	Model	Started from	Finished at	Signature
1						
2						

## PART - GROUP CHANGE NOTIFICATION

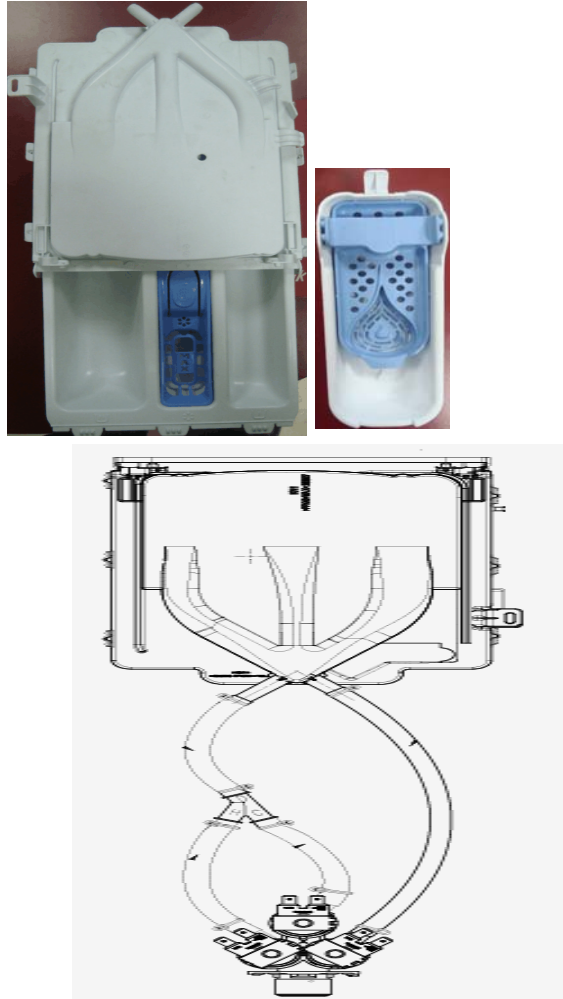


<b>Prepared by</b>	Musa ALTIPARMAK-Hakan AMAÇ			<b>Bulletin no</b>	WM_2015_8	<b>Rev no</b>	0	<b>Date</b>	01.06.2015
<b>Approved by</b>	Barış TEKDEMİR								
<b>Copy to</b>	TH-YPLB		ÇMI-MTK1	ÇMI-ÜPB		ÇMI-MÜT			
	ÇMI-KGB		ÇMI-MTK2	ÇMI-MTK3		Other .....			

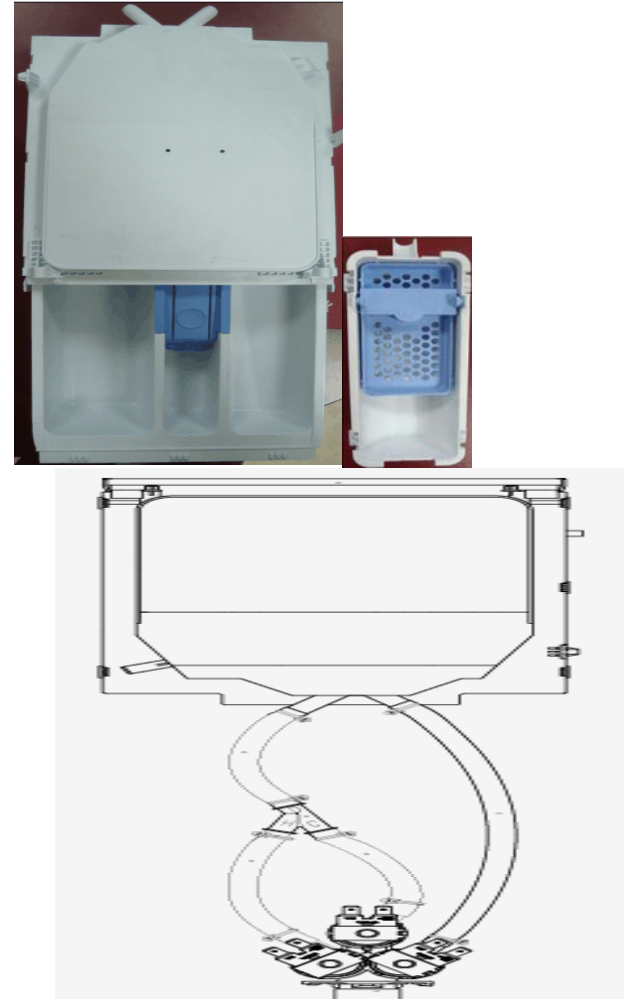
## TECHNICAL EXPLANATION OF THE CHANGE

<b>Issue</b>	<b>DETERGENT BOX COMPLETE ASSEMBLY</b>
<b>Explanation:</b>	Detergent box assembly has been changed to improve perceived quality of users. Old stocks can be used; Old parts are interchangeable with old productions & new parts are interchangeable with new productions.

AFTER



BEFORE



## INFORMATION ABOUT THE PART CHANGES

Ser. Ref	New part(s)			Code	Ser. Ref	Old Part(s)			Code
	Stock number	Part name	Aset			Stock number	Part name	Aset	
146	2412700100	DETERGENT BOX GROUP	1	B2					
336	2413000100	DRAWER ASSEMBLY.	1	B2					
1712	2907194400	HOSE L=255 mm	1	B2					
1120	2907192000	HOSE L=100 mm	2	B2					
1103	2907190300	HOSE L=120 mm	1	B2					
					146	2862100500	DETERGENT BOX GROUP	1	B2
					336	2862300100	DRAWER ASSEMBLY.	1	B2
					1103	2600940300	HOSE L=120 mm	2	B2
					1712	2600944400	HOSE L=255 mm	1	B2
					1120	2600942000	HOSE L=100 mm	1	B2
					1103	2600940300	HOSE L=120 mm	2	B2
					1712	2600944400	HOSE L=255 mm	1	B2
					1120	2600942000	HOSE L=100 mm	1	B2

## CODE EXPLANATION :

A-Old stocks can be used; Old &amp; new parts are fully interchangeable

B-Old stocks can be used; Old parts are interchangeable with old productions &amp; new parts are interchangeable with new productions

C-Old stocks can not be used. New parts are interchangeable with old &amp; new productions

D-Old stocks can not be used. New parts are interchangeable with new productions

E-Old

1-Performance / 2-Production improvement / 3-Safety / 4-Material or dimension change / 5-Additional part / 6-Part cancellation / 7-Alternative use

## T THE PRODUCT CHANGES

No	Date	Brand	Model	Started from	Finished at	Signature
1						
2						