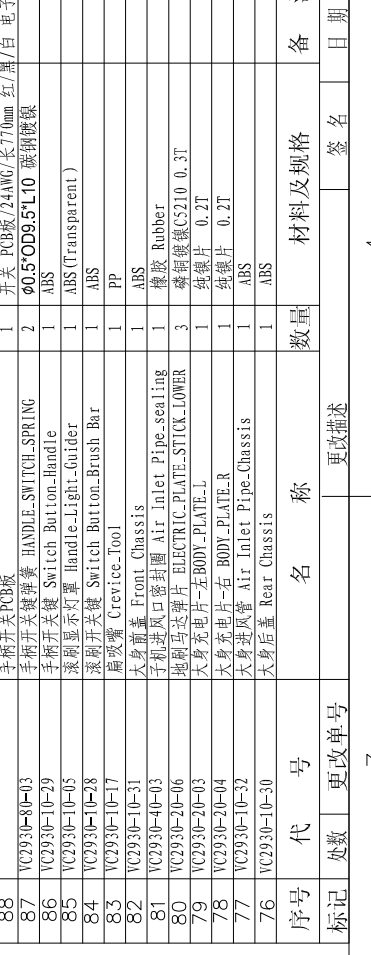
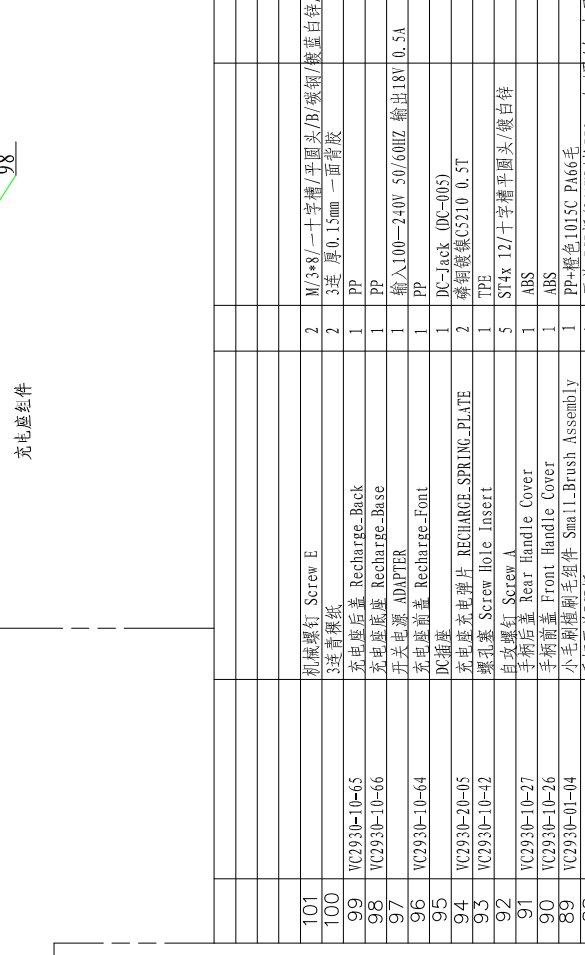
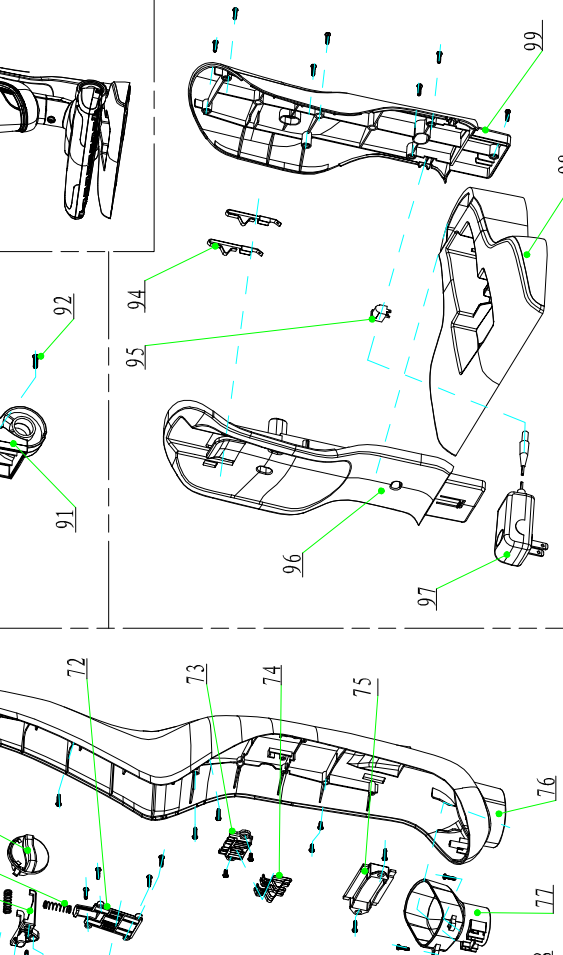
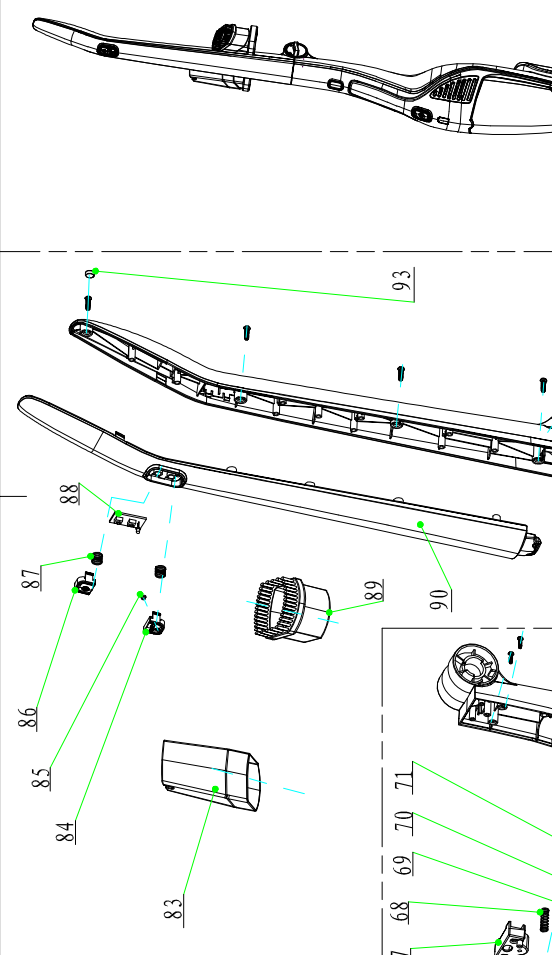
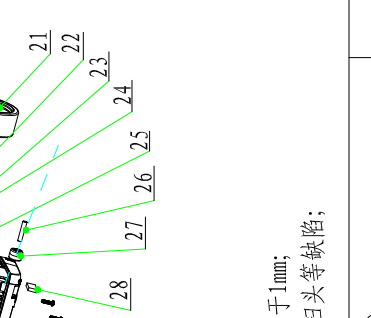
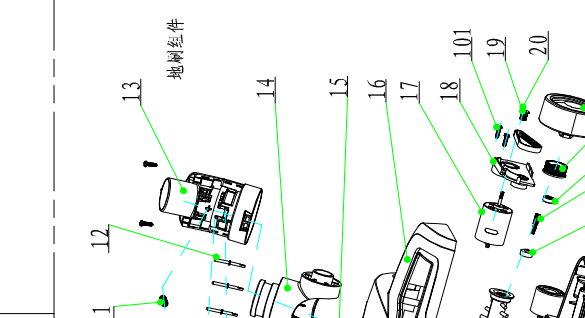
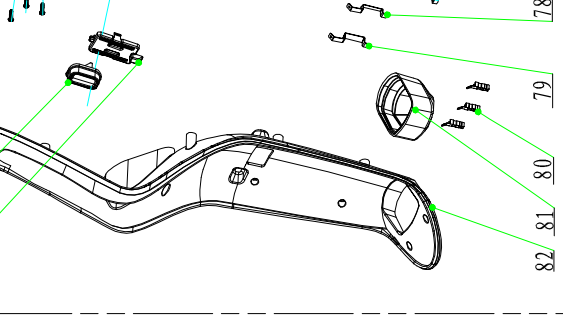
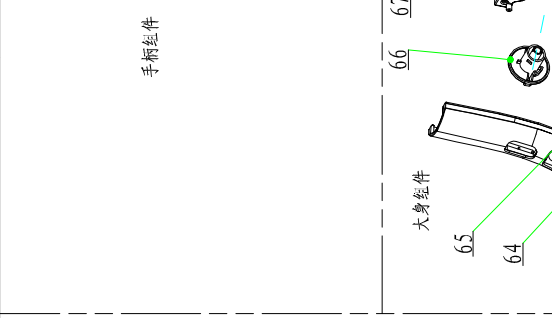
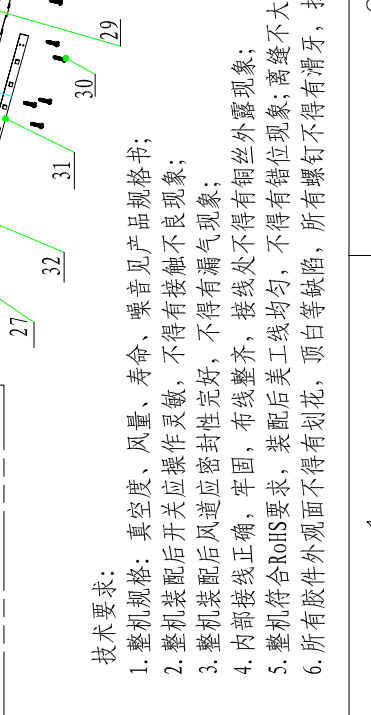
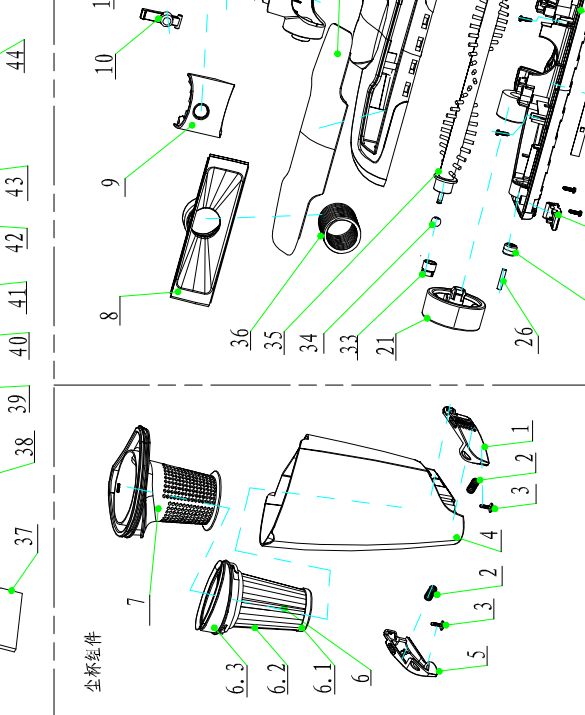
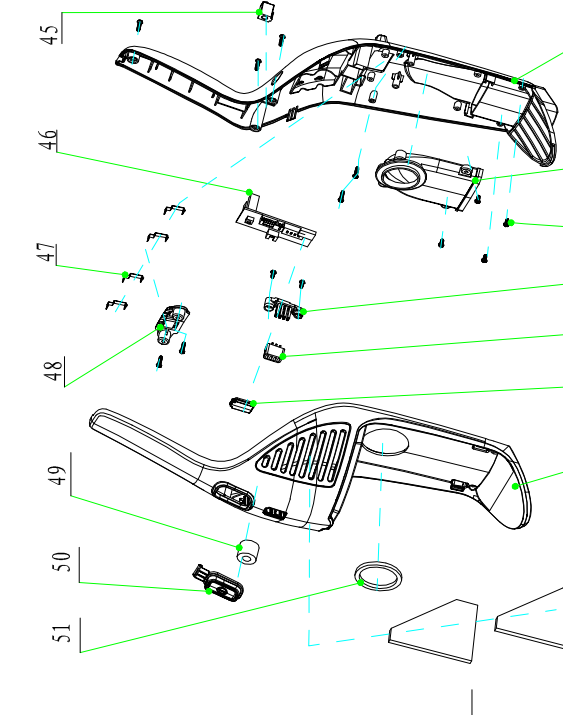
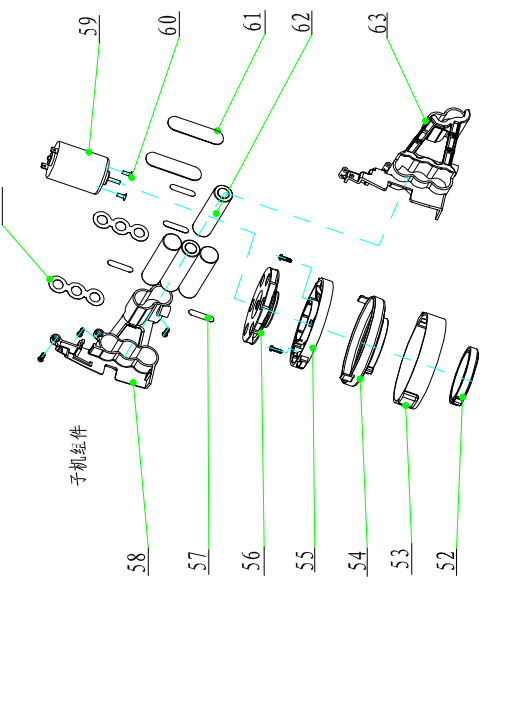


02-00-05620A: 各图



A

74	VC2930-10-33	大身导电弹片 Spring-Plate-Chassis	1	PC
75	VC2930-20-01	大身导电弹片 Spring-Plate-Chassis	4	磷铜镀镍 C5210 0.5T
76	VC2930-10-34	大身弹片座 Spring-Plate-Holder-Chassis	1	PC
77	VC2930-10-38	手柄释放按钮 Release Latch Holder-Button	1	PC
78	VC2930-10-35	手柄右释放按钮 Release-Button-Right	1	PC
79	VC2930-80-02	手柄释放按钮 Spring-Release-Latch-Handle-Unit 1	1	65Mn镀镍
80	VC2930-80-05	手柄释放按钮 Spring-Release-Latch-Handle-Unit 2	1	65Mn镀镍
81	VC2930-10-37	手柄释放按钮 Release Latch Holder-Handle	1	PC
82	VC2930-10-36	手柄左释放按钮 Release-Button-Left	1	PC
83	VC2930-10-41	手柄释放按钮 Release Button-Handle-Unit	1	ABS
84	VC2930-10-40	手柄释放按钮 Release Latch-hand unit	1	PC
85	VC2930-10-12	电池盒右盖 Battery-Holder-Right	1	耐热PP
86	VC2930-20-12	电池EVA	4	Li-Ion/CR 18650ME1 3.6/2000mAh/LG/5V/R
87	VC2930-10-11	吸力电机 MOTOR	2	M/3*6/十字槽/远承/B/碳钢加硬/镀锌/R
88	VC2930-10-08	正负极连接片	1	EVA 单面背胶
89	VC2930-10-01	风机定子 Fan-Base Assembly	4	25*5*0.12mm, 镍片
90	VC2930-10-07	风机罩 Motor Inlet Cover	1	ABS
91	VC2930-10-02	电机罩密封圈 MOTOR-RUBBER-COVER-1	1	橡胶 Rubber
92	VC2930-10-02	电机罩密封圈 MOTOR-RUBBER-COVER-1	1	橡胶 Rubber
93	VC2930-20-11	全杯密封圈 SEALING-DUSTCUP-INLET	1	EVA 黑色 单面背胶
94	VC2930-20-09	开关海绵 PRESS-SPONGE	1	Φ18.0*15.0mm 高密度 120PPI
95	VC2930-10-16	手柄导电弹片 Connect Plate-Handle-Unit	1	PC
96	VC2930-20-02	手柄导电弹片 HANDLE-TERMINAL	4	纯镍片 0.2T
97	VC2930-10-04	假DC插座 FALSE-JACK	1	VC2930 main PCB
98	VC2930-10-02	手柄下盖 Bottom Cover-Handle-Unit	1	橡胶 Rubber
99	VC2930-10-25	导风管 Air Guide	1	ABS

B

40	VC2930-10-06	导光罩 LED Light Guide	10	ST3x 6十字槽平圆头/镀锌
41	VC2930-10-03	遮光架 SOC Light Mask	1	ABS(Transparent)
42	VC2930-10-04	电筒显示灯罩 SOC Lens Cover	1	ABS(Transparent)
43	VC2930-10-01	手柄上盖 Top Cover-Handle Unit	1	ABS
44	VC2930-20-08	出风嘴 NOZZLE-FILTER	2	L8*W7.5*15mm 40PPI
45	VC2930-80-11	软管 HOSE-NOZZLE	1	伸缩3/1 0D35.0*1D28.0*148.0
46	VC2930-80-03	滚刷驱动轴 Brush Bar Assembly	1	滚刷+滚刷轴+滚刷 1015C PA66毛刷带
47	VC2930-30-01	轴承座 Bearing Holder	1	全油椰基粉末冶金 0D9.0*1D4.1*11.2
48	VC2930-10-63	滚刷释放按钮 Release Button-Brush Bar	1	PA66
49	VC2930-10-48	地刷 LED PCB	1	PC
50	VC2930-10-53	下吸盘 Base-Nozzle	48	ST3x 10十字槽平圆头/镀锌
51	VC2930-20-10	下吸盘海绵 SPONGE-NOZZLE	1	PP
52	VC2930-10-58	小轮包胶 Front-Wheel-Overmold	2	L16.5*W8.0*17.5mm 50PPI
53	VC2930-80-06	小轮轴 NOZZLE-FRONT-WHEEL-SHAFT	2	POM+PE
54	VC2930-10-62	滚刷驱动轴 Brush Bar Drive	1	Φ3.9*L19.5 铁镀锌
55	VC2930-80-07	滚刷轴 NOZZLE-AGITATOR-SHAFT	1	PA66
56	VC2930-80-09	滚刷轴套 NOZZLE-AGITATOR-BEARING	1	Φ4.0*L18.8 铁镀锌
57	VC2930-10-61	滚刷轴套 NOZZLE-AGITATOR-BEARING	1	VC3901/轴承钢/623ZZ/Φ10*Φ3*H4
58	VC2930-10-55	后轴包胶 Rear Wheel-Overmold	2	POM
59	VC2930-10-60	电筒同步带 Motor-Gear	1	PP+PE
60	VC2930-10-60	同步带 VCP1001-SYNCHRO-BELT	1	PA66
61	VC2930-10-59	滚刷电机架 Nozzle-Motor-Bracket	1	VCPI001/碳纤维增强塑料/橡胶/尼龙/57MWL
62	VC2930-10-59	地刷马达	1	PA66+30MGF
63	VC2930-10-50	滚刷显示灯罩 Handle-Light-Guide	1	RS-365SIV-1513
64	VC2930-10-05	滚刷罩 Nozzle-Connector	1	ABS
65	VC2930-10-45	地刷接头 Nozzle-Connector	1	ABS(Transparent)
66	VC2930-10-24	地刷释放按钮 Release Button-Nozzle	1	PC
67	VC2930-10-46	吸盘风道罩 Air Inlet Pipe-Nozzle	3	铜镀锌 H63
68	VC2930-10-21	滤网罩包胶 Filter Basket Overmold	1	ABS
69	VC2930-10-23	滤网上盖包胶 Filter Top Cover Overmold	1	PP+PE
70	VC2930-20-13	HEPA滤网 FILTER-HEPA	1	ABS+PE
71	VC2930-10-02	滤网下盖 Filter Bottom Cover	1	PC
72	VC2930-10-13	HEPA滤网组件 HEPA Filter Assembly	1	ABS
73	VC2930-10-13	尘杯释放按钮 Dust Cup-Release Button-L	1	ABS
74	VC2930-10-19	尘杯释放按钮 Dust Cup-Release Button-R	2	SUS 304
75	VC2930-80-01	尘杯释放按钮 DUSTCUP-RELEASE-BUTTON-SPRING 2	1	65Mn镀镍
76	VC2930-10-14	尘杯释放按钮 Dust Cup-Release Button-R	1	ABS

C

101	机械螺钉 Screw E	2	M/3*8/十字槽/平圆头/B/碳钢镀镍/镀锌/R
100	3球背螺帽	2	3球 背厚0.15mm 一面背胶
99	充电底座 Recharge-Back	1	PP
98	充电底座 Recharge-Base	1	PP
97	开关电源 ADAPTER	1	输入100~240V 50/60HZ 输出18V 0.5A
96	充电底座 Recharge-Front	1	PP
95	DC插座	1	DC-Jack (DC-005)
94	充电底座 Recharge-Switch-Plate	2	磷铜镀镍(C5210) 0.5T
93	螺孔塞 Screw Hole Insert	1	TPPE
92	手柄开关按钮 Handle Cover	5	ST4x 12/十字槽平圆头/镀锌
91	手柄后盖 Rear Handle Cover	1	ABS
90	手柄前盖 Front Handle Cover	1	ABS
89	手柄前盖 Front Handle Cover	1	PP+椰色1015C PA66毛
88	手柄开关按钮 Handle Switch	1	PC
87	手柄开关按钮 Handle Switch	2	Φ0.5*OD9.5*L10 碳钢镀镍
86	手柄开关按钮 Handle Switch	1	ABS
85	手柄开关按钮 Handle Switch	1	ABS(Transparent)
84	手柄开关按钮 Handle Switch	1	ABS
83	手柄开关按钮 Handle Switch	1	PP
82	手柄开关按钮 Handle Switch	1	PP
81	手柄开关按钮 Handle Switch	1	ABS
80	手柄开关按钮 Handle Switch	3	磷铜镀镍(C5210) 0.3T
79	手柄开关按钮 Handle Switch	1	纯镍片 0.2T
78	手柄开关按钮 Handle Switch	1	纯镍片 0.2T
77	手柄开关按钮 Handle Switch	1	ABS
76	手柄开关按钮 Handle Switch	1	ABS

D

1	整机规格: 真空度、风量、寿命、噪音见产品规格书;
2	整机装配后应操作灵敏, 不得有接触不良现象;
3	整机装配后应密封性好, 不得有漏气现象;
4	内部接线正确, 牢固, 布线整齐, 不得有铜丝外露现象;
5	整机符合RoHS要求, 装配后美工线均匀, 不得有错位现象; 高缝不大于1mm;
6	所有胶件外观面不得有划伤, 顶白等缺陷, 所有螺钉不得有滑牙, 扫头等缺陷;

技术要求:

1. 整机规格: 真空度、风量、寿命、噪音见产品规格书;

2. 整机装配后应操作灵敏, 不得有接触不良现象;

3. 整机装配后应密封性好, 不得有漏气现象;

4. 内部接线正确, 牢固, 布线整齐, 不得有铜丝外露现象;

5. 整机符合RoHS要求, 装配后美工线均匀, 不得有错位现象; 高缝不大于1mm;

6. 所有胶件外观面不得有划伤, 顶白等缺陷, 所有螺钉不得有滑牙, 扫头等缺陷;

图号: VC2930-00-20 版次: A

校对: 韦长连 日期: 2015.06.30

校对: 席建新 日期: 2015.08.04

标准化: 日期:

审核: 日期: