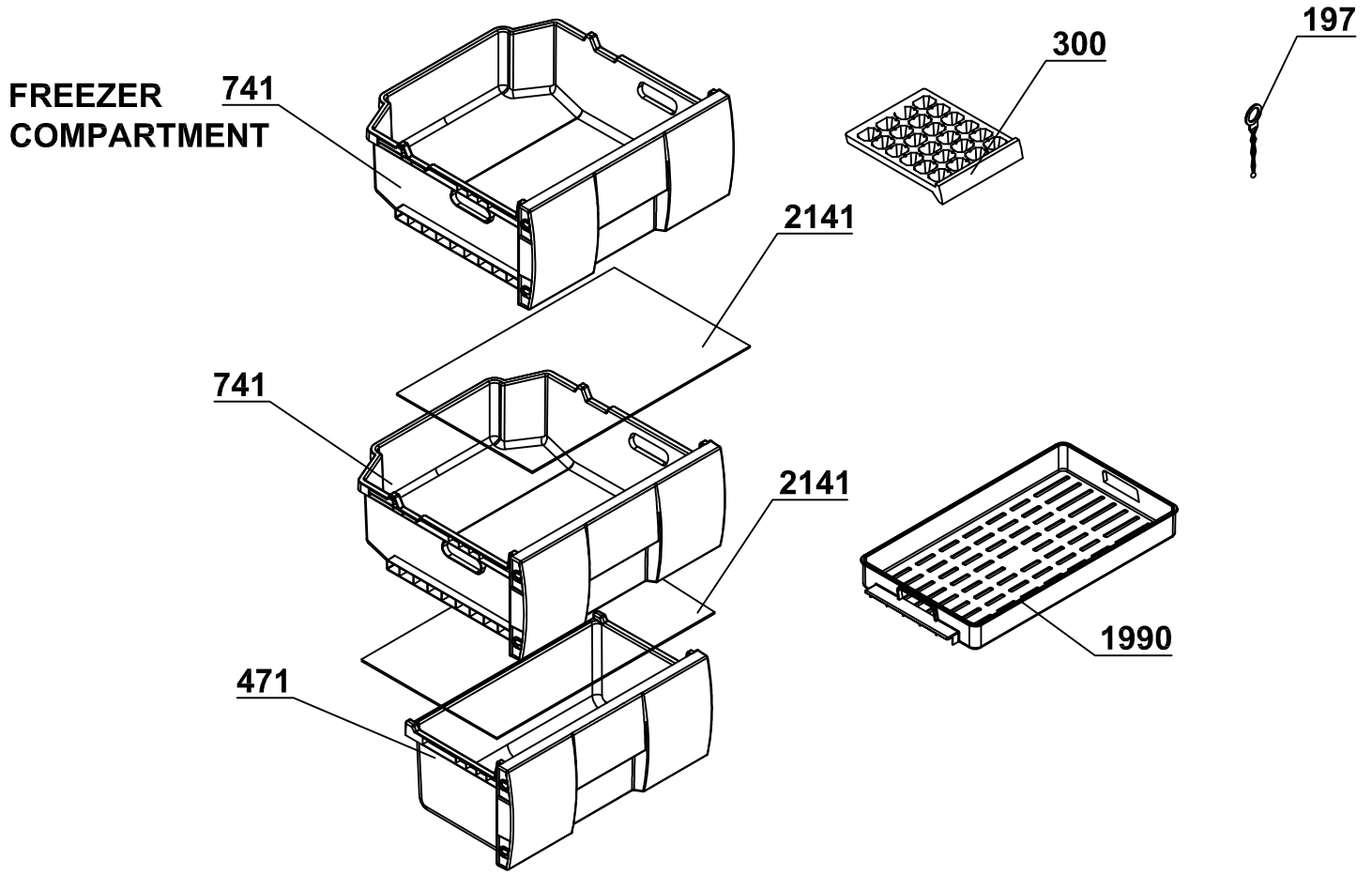


**REFRIGERATOR  
COMPARTMENT**



**FREEZER  
COMPARTMENT**

*Product code:*  
**7506610004**

*Model:*  
**COMBI K5270**

*Appendix:*  
**3**

**AK275+ ARCTIC**

*Revision: 00*

*Tanase Bogdan - PDD*

*16.08.2013*