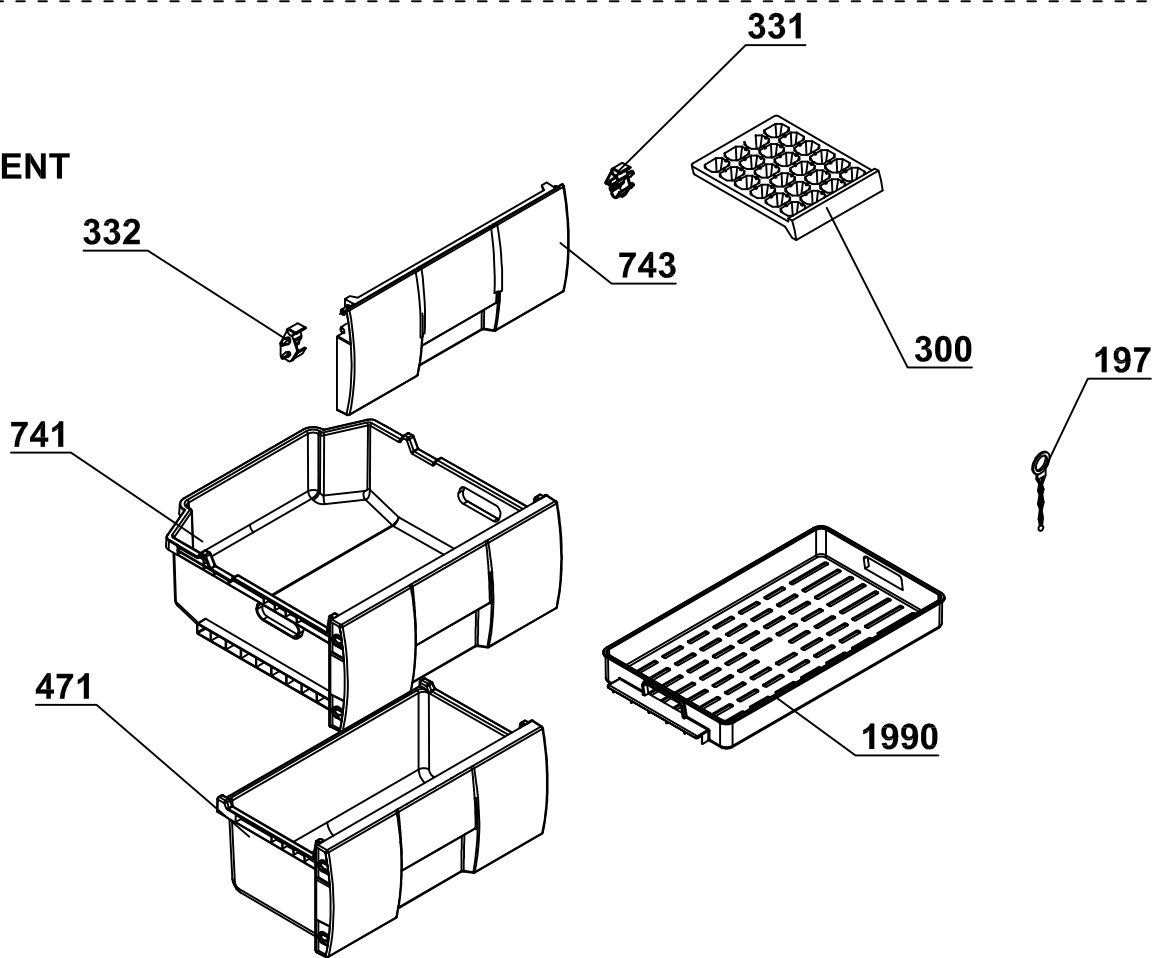


**REFRIGERATOR
COMPARTMENT**

**FREEZER
COMPARTMENT**



Product code:
7506610004

Model:
COMBI K5270

Appendix:
3

AK275+ ARCTIC

Revision: 00

Ionela Enculescu - PDD

13.03.2012